

July,
2013



Government of Nepal
Ministry of Physical Infrastructure & Transport
Department of Roads
Planning and Design Branch
Road and Traffic Unit
Babarmahal, Kathmandu

Nepal Road Standard 2070

TABLE OF CONTENTS

TABLE OF CONTENTS	<i>i</i>
LIST OF FIGURES	<i>iv</i>
LIST OF TABLES	<i>v</i>
ABBREVIATIONS	<i>vi</i>
1 INTRODUCTION	1
2 SCOPE OF USE	1
3 ROAD CLASSIFICATION	1
4 Traffic Characteristics	3
4.1 Vehicle Dimensions	3
4.2 Equivalency Factors	3
5 Capacity and Level of Service	4
6 Terrain Classification	4
7 Design Speed	5
8 Sight Distance	5
8.1 Stopping Distance	5
8.2 Overtaking Distance	6
8.3 Application of sight distance standards	6
8.4 Overtaking Zones	6
9 Horizontal Alignment	6
9.1 Radius of Horizontal Curves	6
9.2 Transition Curves or Spirals	7
9.3 Hair pin Bends	7
9.4 Extrawidening	8
9.5 Set-Back Distance at Horizontal Curves	9
10 Vertical Alignment	9
10.1 Gradients	10
10.1.1 Maximum gradients	10

10.1.2	Grade Compensations	10
10.1.3	Maximum (critical) Length of Grade	10
10.2	Climbing Lanes	10
10.3	Emergency escape ramps	11
10.4	Vertical Curves	12
10.4.1	Summit Curves	13
10.4.2	Valley Curves	14
11	<i>Road Cross Section Elements</i>	15
11.1	Carriageway	15
11.2	Shoulder	16
11.3	Medians	16
11.4	Formation or Roadway Width	17
11.5	Camber	17
11.6	Superelevation	17
11.7	Side slopes	18
11.8	Typical Cross Sections	19
11.9	Right of Way and Clearances	20
11.9.1	Right Of Way	20
11.9.2	Lateral clearances	20
11.9.3	Vertical clearances	21
12	<i>Traffic Signs and safety</i>	21
13	<i>Miscellaneous Road Appertuances</i>	21
13.1	Guard Rails and Safety Barriers	21
13.2	Road Humps	22
13.3	Bicycle Tracks	23
13.4	Pedestrian Facilities	23
13.4.1	Footpaths	23
13.4.2	Pedestrian Crossings	24
13.5	Bus Lay Bys	24
13.6	Curbs	25
13.7	Road Lighting	26
13.8	Road Drainage	26
14	<i>Access Control</i>	27

15	<i>Pavement</i>	27
16	<i>Road Intersections</i>	28
16.1	Acceleration Deceleration (speed-change) Lanes	28
16.2	Types of intersections	29
17	<i>Structures</i>	29
17.1	Bridges, culverts and other cross drainage structures	29
17.2	Retaining Walls	29
17.3	Road Tunnels	30
18	<i>Maintenance</i>	31
19	<i>Aesthetics and Landscape Design</i>	31
20	<i>Roadside Arboriculture</i>	32
21	<i>Environmental Consideration</i>	33
22	<i>Roadside Service Facilities</i>	33
23	<i>Glossary</i>	35
24	<i>Annexes</i>	36
24.1	Recommended Design Parameters for various classes of Roads	36
24.2	Sight Distance Formulas	37
24.2.1	Stopping Distance	37
24.2.2	Overtaking Distance	37
24.3	Horizontal Curve	38
24.4	Elements of a Clothoid	39
24.5	Summit Curve	42
24.6	Valley Curve	44
24.7	References	47

LIST OF FIGURES

Figure 9-1 Set Back Distance.....	9
Figure 10-1: Emergency Escape Ramp	12
Figure 11-1: Road sections	20
Figure 13-1: Safety Barriers	22
Figure 13-2 Road Hump	23
Figure 13-3 :Bus Lay Bys Plan	25
Figure 13-4 Typical curb designs	25
Figure 16-1: Deceleration(a) and Acceleration(b) Lanes	28
Figure 16-2: Intersection type selection	29
Figure 17-1 Typical tunnel clearances.....	31
Figure 24-1: Elements of a transition or spiral curve.....	40
Figure 24-2: Summit Curve	42
Figure 24-3: Minimum Length of Summit Vertical curve	44
Figure 24-4: Valley Curve from headlight illumination criteria.....	45
Figure 24-5: Minimum Length of Valley Curve	46

LIST OF TABLES

Table 3-1 :Approximate Correlation between administrative and functional classification	3
Table 4-1 Vehicle types, Equivalency Factors	4
Table 5-1:Capacity of Roads, PCU/day	4
Table 6-1 Terrain Classification.....	5
Table 7-1 Design Speeds, km/h	5
Table 8-1: Stopping distance.....	5
Table 8-2: Overtaking distance.....	6
Table 9-1 Minimum radius of horizontal curves.....	7
Table 9-2 Length of Transition Curves	7
Table 9-3 Hair Pin bends design parametres	8
Table 9-4 Extrawidening on curves	8
Table 10-1: Maximum gradients	10
Table 10-2: Maximum(critical) length of gradient	10
Table 10-3: Minimum value of K for summit curves	14
Table 10-4: Minimum value of K for valley curves.....	15
Table 11-1Width of Carriageways, m	16
Table 11-2 Width of Shoulders, m.....	16
Table 11-3 Camber, %	17
Table 11-4: Embankment Side Slopes	18
Table 11-5 Cuttings side slopes	18
Table 11-6: Right of way.....	20
Table 11-7 Vertical Clearances for Electric wires and cables	21
Table 13-1: Width of footpath	24
Table 13-2 : Return periods for calculating design discharges	26
Table 13-3 Type of lining of side drains	27
Table 16-1: Length of acceleration, deceleration lanes and tapers	28
Table 24-1 Recommended design Parameters.....	36
Table 24-2 : Coefficient of longitudinal friction	37
Table 24-3 :Overtaking Distance Calculations	38
Table 24-4 : Coefficient of lateral friction.....	39

ABBREVIATIONS

AASHTO- Association of American State Highway and Transportation Officials.
AADT-Average Annual Daily Traffic
ADT-Average Daily Traffic
B.S.-Bikram Sambat
CE-Common Era
DOLIDAR-Department of Local Infrastructure Development and Agricultural Roads
DOR-Department of Roads
h-hour
IP-Intersection Point
IRC-Indian Roads Congress
km-kilometre
LOS-Level of Service
LRN-Local roads network
m-metre
NRS-Nepal Roads Standards
ORN-Overseas Road Notes
PCU-Passenger Car Unit
s-second
SRN-Strategic Roads Network

1 INTRODUCTION

- a. Nepal Road Standards -2027(Second Revision 2070), in short called NRS-2070, shall apply to all *Strategic Roads* in rural areas being constructed within Nepal. For *non-strategic (Local Roads)* and *urban roads* separate standards shall be considered.
- b. With the objectives of achieving consistency in road design and construction, NRS was first introduced by DOR in B.S. 2027 (1970 CE) and was revised in B.S 2045 (1988 CE).Minor revisions were made in B.S 2051 (1994 CE) and in 1997 CE to incorporate certain changes, which were relevant at the time of revisions. But those revisions were treated separately, not as an official version of the NRS-2027.
- c. Based on NRS (2027), standard design for roads and bridges including typical drawings were prepared in 1978 CE. They are being used till now. The standard design prepared in 1978 CE was based on the standard code of practice of that time.
- d. Since then, there have been several revisions in design standards and specifications in Nepal and also vast advancement in design and construction technology have occurred.
- e. In the past, roads have been designed and constructed using either DOR standard guidelines or using the design standard adopted by various aid agencies or consultants.
- f. Due to non-uniformity in design and construction of roads and bridges, DOR has been facing difficulties in maintenance and management of roads and bridges.
- g. In this context and as demanded by the modern technological development, there is a need to revise NRS-2027 and this is the second official revision.

2 SCOPE OF USE

- a. These standards are to be applied for all roads being constructed in Nepal. These standards apply mostly for non-urban roads (in open country outside built-up area.)
- b. These requirements can be relaxed in some very difficult situations by the Government of Nepal.
- c. Efforts in general should, however, be to aim at standards higher than the minimum indicated here.
- d. The geometric features of roads except cross sectional elements do not lend to stage construction. Geometric deficiencies are costly and sometimes impossible to rectify later on due to subsequent road development. Therefore, it is essential that geometric requirements should be kept in view right in the beginning.

3 ROAD CLASSIFICATION

Roads in Nepal are classified as follows:

A. Administrative Classification

Administrative classification of roads is intended for assigning national importance and level of government responsible for overall management and methods of financing. According to this classification roads are classified into:

National Highways

Feeder Roads

District Roads and

Urban Roads

National Highways

National Highways are main roads connecting East to West and North to South of the Nation. These serve directly the greater portion of the longer distance travel, provide consistently higher level of service in terms of travel speeds, and bear the inter-community mobility. These roads shall be the main arterial routes passing through the length and breadth of the country as a whole. They are designated by letter 'H' followed by a two-digit number.

Feeder Roads

Feeder roads are important roads of localized nature. These serve the community's wide interest and connect District Headquarters, Major economic centres, Tourism centres to National Highways or other feeder roads. They are designated by letter 'F' followed by 3-digit number.

District Roads

District Roads are important roads within a district serving areas of production and markets, and connecting with each other or with the main highways.

Urban Roads

Urban Roads are the roads serving within the urban municipalities.

In Nepal the overall management of National Highways and Feeder Roads comes within the responsibility of the Department of Roads (DOR). These roads are collectively called *Strategic Roads Network (SRN)* roads. District Roads and Urban Roads are managed by Department of Local Infrastructure Development and Agricultural Roads (DOLIDAR). These roads are collectively called *Local Roads Network (LRN)* roads.

B. Technical/ Functional Classification^a

For assigning various geometric and technical parameters for design, roads are categorized into classes as follows:

Class –I

Class I roads are the highest standard roads with divided carriageway and access control (Expressways) with ADT of 20,000 PCU or more in 20 yrs perspective period.

Design speed adopted for design of this class of roads in plain terrain is 120 km/h.

Class II

Class II roads are those with ADT of 5000-20000 PCU in 20 yrs perspective period.

Design speed adopted for design of this class of roads in plain terrain is 100 km/h.

Class III

Class III roads are those with ADT of 2000-5000 PCU in 20 yrs perspective period.

Design speed adopted for design of this class of roads in plain terrain is 80 km/h

Class IV

Class IV roads are those with ADT of less than 2000 PCU in 20 yrs perspective period.

^a Approximate equivalence with road classification in other countries is as follows: class I roads correspond to expressways, class II –to arterial roads, class III-to collector roads and class IV-to local roads.

Design speed adopted for design of this class of roads in plain terrain is 60 km/h

Design parameters for various classes of roads are given in Table 24-1.

For the design of roads the class of the road is taken as the basic deciding factor, which is ascertained based on the traffic volume on the road. But an approximate correlation can be established between the *administrative* and *functional* classifications of the roads as follows in Table 3-1.

Table 3-1 :Approximate Correlation between administrative and functional classification

	Plain and Rolling terrain	Mountainous and steep terrain
National Highway	I,II	II,III
Feeder Roads	II,III	III,IV

4 TRAFFIC CHARACTERISTICS

4.1 Vehicle Dimensions

The maximum dimensions of vehicles considered for design of roads in Nepal are as follows:

Maximum Width, m 2.50

Maximum Height, m 4.75

Maximum Length, m 18.00

Maximum single axle load, kN 100

4.2 Equivalency Factors

- a. It is not feasible to improve the standard of a road by very small increments and it is a standard practice to design and construct new roads and improvement works to withstand the estimated traffic at some future date.
- b. In Nepal this forward period (perspective period) shall be 20 years, i.e. roads shall be designed with a capacity sufficient to cater for the estimated traffic volume 20 years after the date of completion of the works.
- c. Different types of vehicles take up differing amounts of road space and have different speeds(For geometric design) and impose differing loads on the road structure(For structural design).
- d. It is, therefore, necessary to adopt a standard traffic unit to which other types of vehicles may be related.
- e. For geometric design of roads this standard is the 'Passenger Car Unit (PCU)' which is that of a normal car (passenger car), light van or pick-up. Other types of vehicles are taken into account by multiplying by the following equivalency factors.

Table 4-1 Vehicle types, Equivalency Factors

SN	Vehicle Type	Equivalency Factor
4	Bicycle, Motorcycle	0.5
1	Car, Auto Rickshaw, SUV, Light Van and Pick Up	1.0
2	Light (Mini) Truck, Tractor, Rickshaw	1.5
3	Truck, Bus, Minibus, Tractor with trailer	3.0
5	Non-motorized carts	6

5 CAPACITY AND LEVEL OF SERVICE

- Among six Levels of Services (LOS) viz. 'A' to 'F' it is recommended to adopt a LOS 'B' for the design capacity of roads.
- Under this condition, traffic will experience congestion and inconvenience during some of the peak hours, which may be acceptable.
- Design capacity governs the number of lanes required for the design volume of traffic.
- At the level of service B, volume of traffic will be around 45 percent of maximum capacity under mixed traffic condition. Design traffic volume should be taken as the volume at the end of the design life considering the equivalency factors as shown in Table 4-1.
- Recommended design service volumes for single lane, intermediate lane, two lane and multi lane roads are presented in Table 5-1

Table 5-1: Capacity of Roads, PCU/day

S. No.	Category	Plain		Rolling		Mountainous and steep	
		Low curvature (0-50 deg/km)	High curvature (>50 deg/km)	Low curvature (0-100 deg/km)	High curvature (>100 deg/km)	Low curvature (0-200 deg/km)	High curvature (>200 deg/km)
1	Single Lane Road(3.75 m) with good quality shoulders at least 1.0m wide	2000	1900	1800	1700	1600	1400
2	Intermediate lane Road(5.5m) with good quality shoulders at least 1.0m wide	6000	5800	5700	5600	5200	4500
3	Double lane Road(7.0m) with good quality shoulders at least 1.0m wide	15000	12500	11000	10000	7000	5000
4	Four lane road with a minimum 3.m wide median	40000	35000	32500	30000	25000	20000

6 TERRAIN CLASSIFICATION

- Geometric design of roads depends significantly on the terrain conditions. Economy in the design usually dictates to change standards to suit the terrain.

- b. Terrain is classified according to the percent slope of the country across road alignment (Table 6-1). Percent slope can be estimated by counting the number of 1m contours crossed by a 100m long line. While classifying the terrain, short stretches of varying terrain should be ignored.

Table 6-1 Terrain Classification

S.No.	Terrain Type	Percent Cross Slope	Degree
1	Plain	0-10	0° – 5.7°
2	Rolling	> 10-25	> 5.7° – 14°
3	Mountainous	>25-60	> 14 ° – 31°
4	Steep	>60	> 31°

7 DESIGN SPEED

- a. Overall geometric design of a road is a function of design speed. Design speed is decided based on the importance of the road (road class) and the type of terrain. The design speed to be adopted for various classes of roads is given in Table 7-1

Table 7-1 Design Speeds, km/h

Road Class	Plain	Rolling	Mountainous	Steep
I	120	100	80	60
II	100	80	60	40
III	80	60	40	30
IV	60	40	30	20

- b. Design speed should be the guiding criterion for geometric design of the road. But in very difficult terrains and unavoidable circumstances design speed can be reduced to 75% of the values given on the Table 7-1.

8 SIGHT DISTANCE

- a. For safety it is necessary that sight distance of adequate length should be available to permit drivers enough time and distance to control their vehicles. Sight distances are usually governed by the distance required for stopping(stopping distance) and overtaking(overtaking distance).

8.1 Stopping Distance

(See also Annex 24.2.1)

- a. Stopping distance is the distance ahead needed by a driver to bring his vehicle to a complete stop before meeting a stationary object in his path.
- b. Stopping distance for various speeds are given in Table 8-1

Table 8-1: Stopping distance

Speed, km/h	20	30	40	60	80	100	120
Stopping Distance,m	20	30	50	80	130	190	260

8.2 Overtaking Distance

(See also Annex 24.2.2)

- a. Overtaking distance is the minimum distance that should be available to the driver to overtake another vehicle safely. Overtaking distances for various design speeds are given in Table 8-2

Table 8-2: Overtaking distance

Speed, km/h	40	60	80	100	120
Minimum Overtaking Distance,m	165	300	470	640	880

8.3 Application of sight distance standards

- a. Normally attempts should be made to provide a sight distance equal to the overtaking distance in as much length of the road as possible. Where this is not feasible a sight distance equal to twice the stopping distance should be made available.
- b. In no case should the visibility of the road ahead be less than stopping distance for multi lane roads (≥ 2 lanes) and twice the stopping distance for single lane roads.
- c. It is always recommended to provide visibility of road ahead to as much distance as possible.
- d. For calculating the visibility of the road the driver's eye is assumed to be located at 1.2m above the road surface and any object lying on the roads surface to be 0.15m high.

8.4 Overtaking Zones

- a. In stretches of roads where sufficient overtaking sight distance cannot be provided or on single lane roads where overtaking or crossing opportunity is not available, overtaking or passing zones shall be provided.
- b. The width of the overtaking zone shall be the same as that of a minimum two lane road.
- c. Length of the overtaking zone shall be at least 3 times the overtaking distance on two and more lane roads.
- d. On single lane roads length of passing zones shall be at least 2 times the overtaking sight distance.
- e. On single lane roads overtaking/passing lanes should be provided at not more than 1km interval.
- f. The start and end of overtaking zone shall be well informed by placing appropriate signs at least stopping distance before the start and end of the zone.

9 HORIZONTAL ALIGNMENT

9.1 Radius of Horizontal Curves

(see also annex 24.2.2)

- a. Minimum recommended values of radius of horizontal curves for various design speeds are given below. However as far as site conditions permit largest possible values of radius should be used.

Table 9-1 Minimum radius of horizontal curves

Road Class				Design Speed, km/h	Minimum Recommended Radius, m		
					When no superelevation provided(2.5% camber i.e. negative superelevation)	When Maximum Superelevation of 10% provided	From the comfort criteria of passengers(Max lateral force 15% of vertical force)
I				120	1730	600	760
				100	870	370	530
	II			80	440	210	340
				60	200	110	190
		III	IV	40	70	40	90
				30	30	20	50
				20	20	10	30

- b. Some theoretical background for the selection of radius of horizontal curve is given in annex 24.2.2

9.2 Transition Curves or Spirals

(see also annex 24.4)

- Transition curves are necessary to allow a vehicle smoothly enter the circular curve from straight section and vice versa.
- All horizontal curves with radius less than 1000m should be provided with transition curves.
- When circular curves of very large radius (>1000m) are provided the effect of transition from straight section to circular section becomes negligible and no transition curves are provided.
- Clothoid curves (Euler's spiral) with curvature changing linearly with the length are used for transition curves.
- Minimum length of transition curves should be as shown in Table 9-2^a

Table 9-2 Length of Transition Curves

Radius,m	20	30	50	60	80	100	150	200	250	300	400	500	1000
Length of transition curve,m	20	30	35	40	45	50	60	70	80	90	100	110	120

- When the shift value of the transition curve (see 24.4) is less than 0.25m no transition curve need to be provided.
- Details of combined circular and transition curves are given in annex 24.4

9.3 Hair pin Bends

- In hilly areas it may become difficult to avoid bends where the direction of the road reverses. Design criteria for such bends, commonly known as hair pin bends, are given below in Table 9-3.

^a The lengths of the spirals given on the table are applicable only when condition set by equation 24.5 is fulfilled

Table 9-3 Hair Pin bends design parametres

Minimum design speed	20km/h
Minimum Radius of curvature	15m
Minimum length of transition curve	15m
Maximum longitudinal gradient	4%
Maximum superelevation	10%

- b. A minimum distance of 60m should be provided between successive bends of consecutive hair pin bends.
- c. At hair pin bends it is preferable to pave the road to the full width of the roadway.

9.4 Extrawidening

- a. When a vehicle negotiates a horizontal curve the rear wheels do not exactly follow the path of the front wheels. Their path is shifted towards the centre of the curve in relation to the front wheels' path.
- b. In curves the drivers of the vehicles have a tendency to keep a greater clearance between them as compared to the straight sections of the road.
- c. For the reasons mentioned above the width of carriageway of roads at the curves is made wider than on the straight sections.
- d. Value of extrawidening is adopted as shown below in Table 9-4

Table 9-4 Extrawidening on curves

Radius of curve,m		20	20-40	40-60	60-100	100-300	>300
Extra width,m	Single lane road	0.9	0.6	0.6	Nil	Nil	Nil
	Double lane road	1.5	1.5	1.2	0.9	0.6	Nil
	Multi lane(n-lane) road	0.75n	0.75n	0.6n	0.45n	0.3n	Nil

- e. Extrawidening should be introduced gradually at an approximately uniform rate along the transition curve. On curves having no transition two third of it should be attained before the start of the circular curve and one third on the curve.
- f. Extrawidening shall be applied on both sides of the carriageway, except that on hill roads it will be preferable if the entire widening is done only on the inside. Similarly, the widening should be provided only on the inside when the curve is plain circular and has no transition curve.

9.5 Set-Back Distance at Horizontal Curves

- Adequate sight distance should be available across the inside of horizontal curves. Distance from the road centre line within which the obstructions should be cleared to ensure the needed visibility i.e. the “ set-back distance”, can be calculated from geometrical considerations as shown in Figure 9-1
- The set-back distance is calculated as follows:

$$m = R - (R - n) \cos \theta \quad \dots \dots \dots 9-1$$

Where,

$$\theta = \frac{S}{2(R - n)} \text{ radians}$$

m-minimum set-back distance to sight obstruction in metres(measured from the centre line of the road)

R-radius at the centre line of the road in metres

n-distance between the centre line of the road and the centre line of the inside lane in metres

S-sight distance in metres(measured along the centre line of the road)

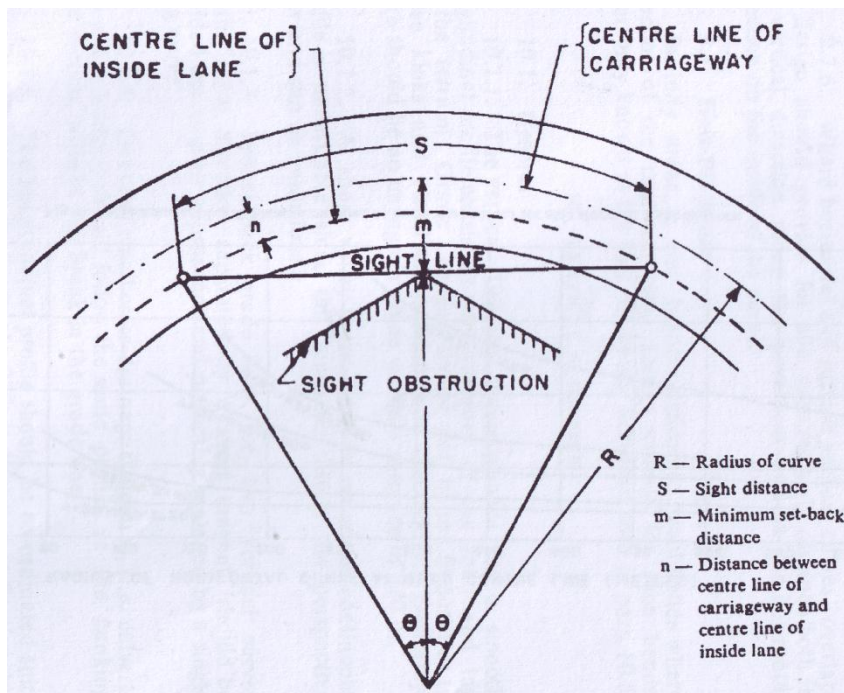


Figure 9-1 Set Back Distance

10 VERTICAL ALIGNMENT

- The vertical alignment of the road should provide for a smooth longitudinal profile without any kinks and visual discontinuities in the profile. Grade changes in vertical alignments should be as less frequent as possible.

10.1 Gradients

10.1.1 Maximum gradients

- Vehicle operation cost is directly related with the longitudinal gradients, and so it is recommended to adopt their values as small as possible.
- Right from the early stage of alignment fixing, it should be born in mind that it becomes very difficult to flatten the gradient at later stage.
- Maximum gradient depends on the dynamic characteristics of commercial trucks, design speed and maximum allowable reduction in speed during climbing up the gradient.
- Considering these factors (weight to power ratio of trucks-120kg/kW, with a maximum reduction of speed by 25 kmph below the design speed) maximum gradients for various design speeds shall be as follows:

Table 10-1: Maximum gradients

Design Speed, km/h	20	30	40	60	80	100	120
Maximum Gradient,%	12	10	9	7	6	5	4

- Minimum longitudinal gradients for longitudinal drainage purpose is 0.5%

10.1.2 Grade Compensations

- Maximum value of longitudinal gradient shall be eased by 0.5% for each rise of 500m above mean sea level.
- Due to loss of tractive efforts of the vehicle on curves it is recommended to ease the gradients by an amount calculated as follows:

$$\text{Grade compensation (\%)} = \frac{30 + R}{R} \dots \dots \dots 10-1$$

subject to a maximum of 75/R, where R-radius in m.

- It is not necessary to compensate grades below 4%.

10.1.3 Maximum (critical) Length of Grade

- Maximum length of road with a gradient should be limited to the following values:

Table 10-2: Maximum(critical) length of gradient

Gradient,%	4	5	6	7	9	10	12
Maximum(critical) Length,m	600	450	400	300	200	150	150

10.2 Climbing Lanes

- Climbing lanes are provided on road upgrades for slow moving heavy vehicles to allow drivers of light vehicles to move without reducing speed when they encounter slow moving heavy vehicles.
- Climbing lanes are to be provided if the length of the grade is such that a speed reduction of more than 25kmph of fast moving vehicle occurs(see Table 10-2)

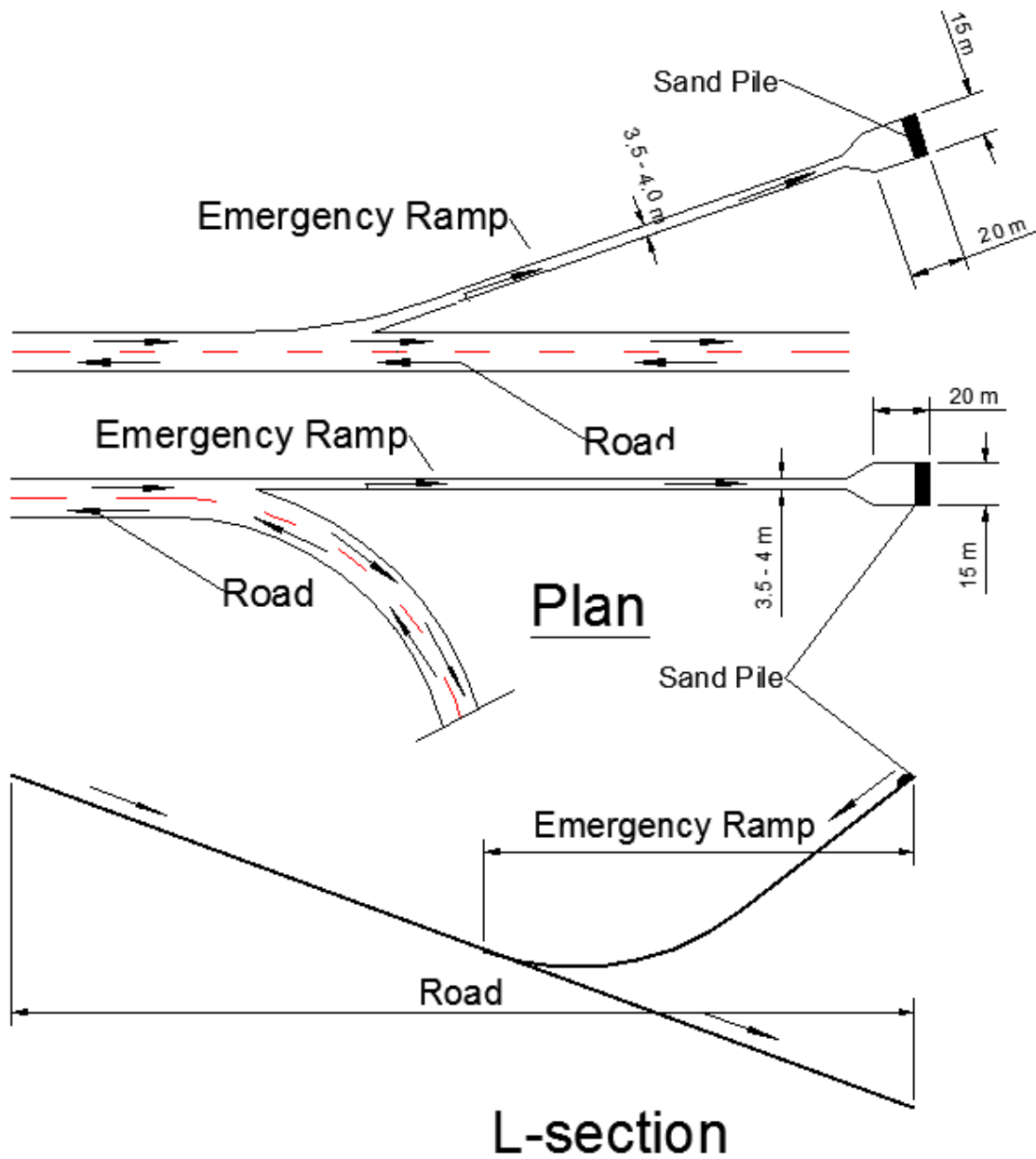


Figure 10-1: Emergency Escape Ramp

10.4 Vertical Curves

- When two straight sections of a road in longitudinal profile meet at a point, vertical curves are provided for smooth travel along the road.
- The type of vertical curves is selected in such a way that the rate of change of grade throughout the curve is uniform.
- A quadratic parabola satisfies the above condition and should be used for vertical curves design.
- If the convexity of the curve is upwards it is called a summit curve otherwise a valley curve.

$$K = \frac{S^2}{(150 + 3.5S)} \dots \dots \dots 10-11$$

When stopping distance(S) is more than L

$$L = 2S - \frac{(150 + 3.5S)}{A} \dots \dots \dots 10-12$$

Where,

L-Length of valley curve ,m

A-Algebraic difference in approach grades, %

S-stopping distance, m

- c. Minimum length of valley curve (L) from the consideration of the riding comfort of the passengers and overloading on the suspension system of the automobile is found as follows:

$$L = \frac{AV^2}{390} \dots \dots \dots 10-13$$

$$K = \frac{V^2}{390} \dots \dots \dots 10-14$$

Where,

L-Length of valley curve ,m

A-Algebraic difference in approach grades, %

V-design speed in km/h

- d. Higher of the values from (b) and (c) are to be adopted in the design.
- e. Minimum length of the valley vertical curves should be taken from the graph on Figure 24-5.
- f. As in the case of summit curve minimum value of K for valley curves for various design speeds are given below in Table 10-4
- g. When the change of grade at vertical curve is very small it is always better to provide a vertical curve as per the following table than not to provide at all.

Table 10-4: Minimum value of K for valley curves

Design Speed,km/h	20	30	40	60	80	100	120
K,m/%	3	6	17	42	111	236	441

11 ROAD CROSS SECTION ELEMENTS

11.1 Carriageway

- a. The standard width of carriageway shall be as shown on the following table. Total width of pavement shall be determined based on the volume of the traffic and capacity of each lane as given on art. 5.

Table 11-1 Width of Carriageways, m

Single lane road	Intermediate lane	Multilane pavements width per lane
3.75 (upto 3.0 m in difficult terrain)	5.5	3.5

- b. In case of single lane roads it is recommended to have two treated shoulders on either side to make a total width of 5.5m of treated surface.

11.2 Shoulder

- a. The width of shoulders on either side of the carriageway shall be at least 0.75m. Recommended width of shoulder for various classes of roads is given below in Table 11-2.
- b. For protection of pavement from water percolating under it from shoulder it is recommended to treat at least a 0.50-0.75m wide strip of shoulder near the edge of the pavement with impervious to water surfacing.
- c. If a small gap(<1m) of untreated shoulder is formed between the edge of the pavement and edge of the side drain in hill roads it is recommended to treat this gap with appropriate surface treatment.

Table 11-2 Width of Shoulders, m

Road Class	Class I	Class II	Class III	Class IV
Minimum shoulder width, m	3.75	2.5	2.0	1.5

- d. For mountainous and steep terrains the above values can be reduced to a minimum value for a lower class of the road but not less than 0.75m.
- e. It is desirable that the color and texture of shoulders be different from those of the carriageway.
- f. This contrast serves to clearly define the carriage way at all times, particularly at night and during inclement weather, while discouraging the use of shoulders as additional through lanes.
- g. Very wide shoulders (more than 3.75m wide) are also not desirable due to tendency of vehicles misusing it as a carriageway.

11.3 Medians

- a. For roads with 4 or more lanes, it is recommended to provide medians or traffic separators. Medians should be as wide as possible.
- b. A minimum median width of 5m is recommended. But a width of 3m can be adopted in areas where land is restricted.
- c. In mountainous and steep terrains maximum possible width of median dictated by the topography should be provided. In such situations simple barriers may be provided to function as a median or individual carriageways could be designed at different levels.
- d. On long bridges and viaducts the width of the median may be reduced to 1.5m, but in no case this should be less than 1.2m.

- e. The median should be of uniform width in a particular section of the highway. However, where changes are unavoidable, a transition of 1 in 20 must be provided.

11.4 Formation or Roadway Width

- a. Formation width shall be a total of widths of carriageways, medians and shoulders as discussed in previous paragraphs.

11.5 Camber

- a. All straight sections of roads shall have a camber or crossfall as given on the Table 11-3.
- b. On roads with undivided carriageways the camber shall be on both directions from the centre line of the road. On roads with divided carriageways unidirectional camber can be provided.
- c. However on some sections of hill roads with undivided carriageway a unidirectional camber can be adopted. In this case the adverse effect of negative camber on movement of vehicles on curves should be properly checked.

Table 11-3 Camber, %

Pavement type	Cement Concrete	Bituminous	Gravel	Earthen
Camber, %	1.5 to 2.0	2.5	4.0	5.0

- d. On straight sections of roads, shoulders should have a higher crossfall than that of the carriageway by 0.5%.

11.6 Superelevation

- a. Superelevation is provided on horizontal curves. Value of superelevation is calculated using following formula:

$$e = \frac{V^2}{127R} - f \dots \dots \dots \mathbf{11-1}$$

Where,

e-value of superelevation, m/m

R-Radius of horizontal curve

V-Design Speed, km/h

f-co-efficient of lateral friction, depends on the vehicle speed and taken as in Table 24-4

- b. Maximum superelevation to be provided is limited to:
- In plain and rolling terrain 7%
 - In snow bound areas 7%
 - In hilly areas not bound by snows 10%
- c. Minimum value of superelevation should be equal to the rate of camber of the pavement.
- d. The rate of introduction of superelevation (i.e. longitudinal grade developed at the pavement edge compared to through grade along the centre line) should be such as not to cause discomfort to travelers or to make the road unsightly.
- e. Rate of change of the outer edge of the pavement should not be steeper than 1 in 150 in plain and rolling terrain and 1 in 60 in mountainous and steep terrain in comparison with the grade of the centre line.

11.7 Side slopes

- a. Side slopes of embankment and cuttings depend on the type of fill/cut materials and height/depth of filling/cutting.
- b. Recommended side slopes for embankments are given below. But wherever possible flatter slopes are recommended for aesthetic reason and traffic safety.

Table 11-4: Embankment Side Slopes

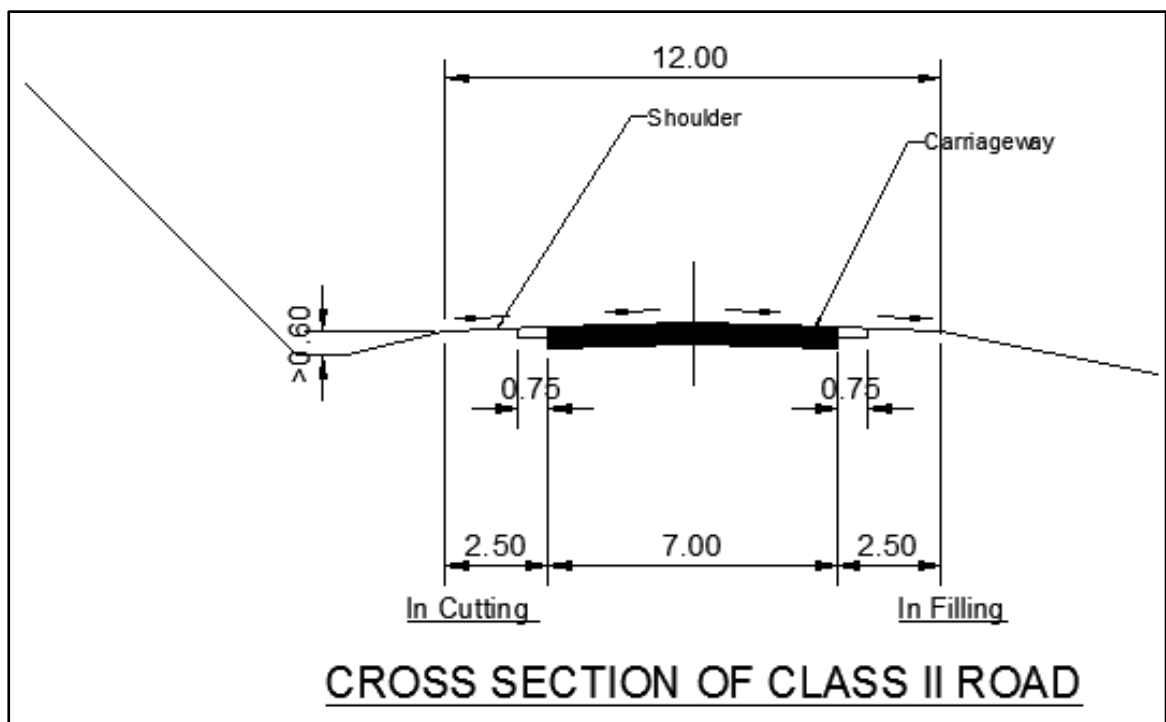
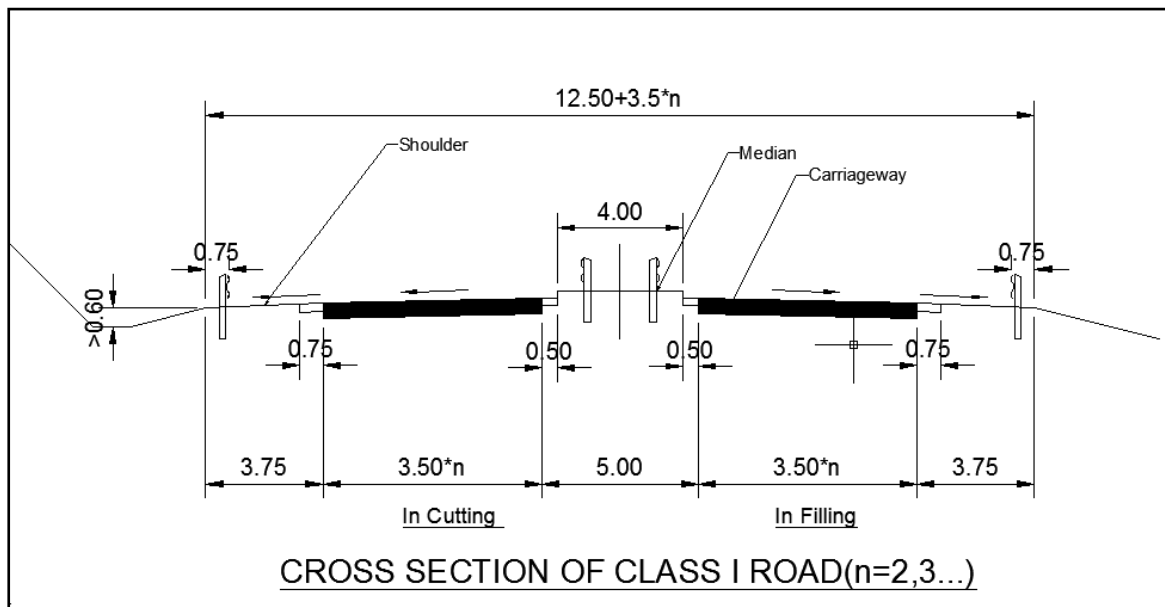
Height, m	Side Slope(vertical:horizontal)
<1.5	1:4
1.5-3.0	1:3
3.0-4.5	1:2.5
4.5-12.0	1:2
>12.0	Design specially

- c. If natural cross slope of the ground is more than 1:5 then the ground should be cut with more than 2m wide horizontal steps.
- d. Recommended values of side slopes in cutting are given in Table 11-5

Table 11-5 Cuttings side slopes

Soil type	Side Slope(vertical:horizontal)
Ordinary Soil	1:2 to 1:1
Disintegrated rock or conglomerate	1: ¹ / ₂ to 1: ¹ / ₄
Soft rock, shale	1: ¹ / ₄ to 1: ¹ / ₈
Medium Rock	1: ¹ / ₁₂ to 1: ¹ / ₁₆
Hard Rock	Almost vertical

11.8 Typical Cross Sections



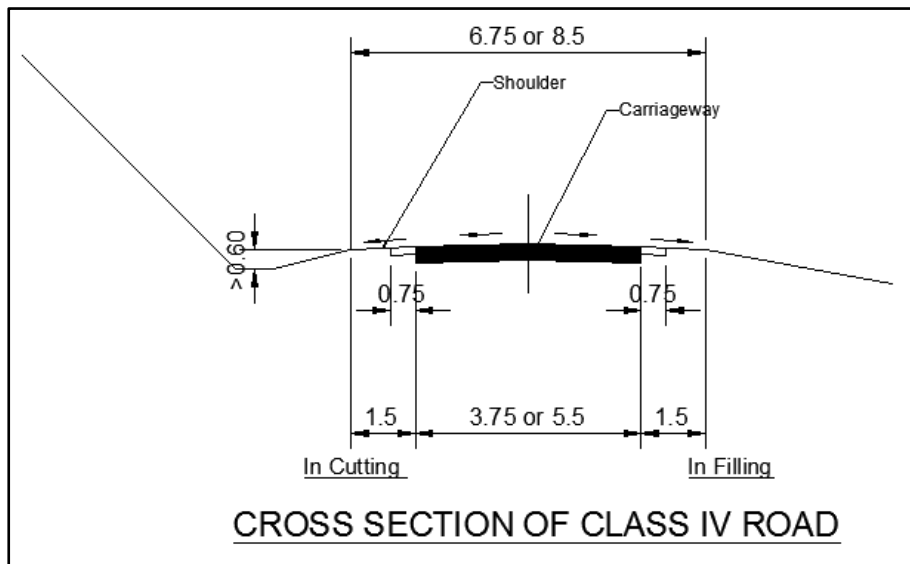
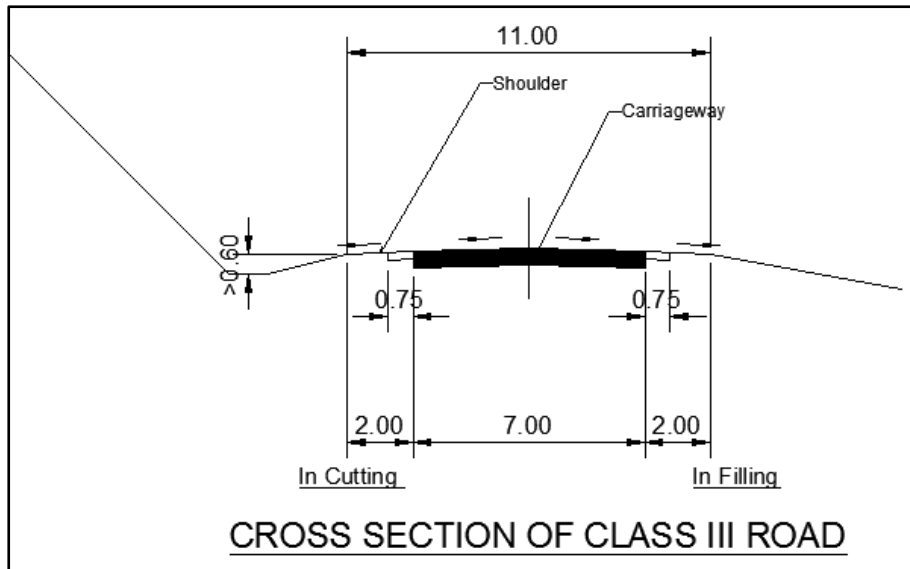


Figure 11-1: Road sections

11.9 Right of Way and Clearances

11.9.1 Right Of Way

a. Right of way for different types of roads shall be as follows:

Table 11-6: Right of way

Road Type	Total Right of Way,m
Highways	50
Feeder Roads	30
District Roads	20

11.9.2 Lateral clearances

- a. For a single carriageway road that goes through an underpass, whole width of the roadway (carriageway plus shoulder widths) should be cleared in lateral direction.
- b. If footpaths are provided minimum lateral clearance should be width of footpath plus 1.0 m.

- c. On roads with divided carriageway, left hand side lateral clearance should be as given on (a.) and (b.) above.
- d. Right hand side clearance should be 2.0 m (desirable) with 1.5m minimum.

11.9.3 Vertical clearances

- e. A vertical clearance of 5.0m measured from the crown of the road surface shall be provided for whole roadway width on all roads. No obstructions shall be made on this space.
- f. Vertical clearance for high voltage electric cables from the road surface shall be as shown in Table 11-7

Table 11-7 Vertical Clearances for Electric wires and cables

Voltage,kV	Minimum Vertical Clearance,m
1	6
110	7
132	7.5
220	8
330	8.5
550	9
720	16

12 TRAFFIC SIGNS AND SAFETY

- a. All traffic signs and road markings shall be as per the “Traffic Signs Manuals Vol-I and Vol II” published by the DOR with amendments made thereafter. Road safety notes published by the DOR shall be consulted.

13 MISCELLANEOUS ROAD APPERTUANCES

13.1 Guard Rails and Safety Barriers

- a. Guard Rails and safety barriers are provided in places where serious damage to vehicle and people may occur when an out of control vehicle may leave the roadway or hit other objects.
- b. *Road edge barriers* are provided near the edge of the road with steep slopes (more than 1:4) or there is a drop of more than 3m or on the outer edge of sharp horizontal curves to protect the vehicles from falling off.
- c. They are provided to protect the vehicle from hitting roadside objects e.g. overhead bridge piers, large sign posts, large trees, walls, ends of bridge parapets located near the edge of the carriageway.
- d. Usually *flexible type steel wire rope barriers* or *semi-rigid type steel beam barriers* or *rigid type RCC barriers* are used as barriers.
- e. *Median Barriers* are provided along the edge of medians on divided highways to protect the traffic on both carriageways to cross-over the median and prevent head-on collisions or hitting other objects on the medians.
- f. Road Safety Notes published by the Department of Roads should be consulted for selection and installation of safety barriers.

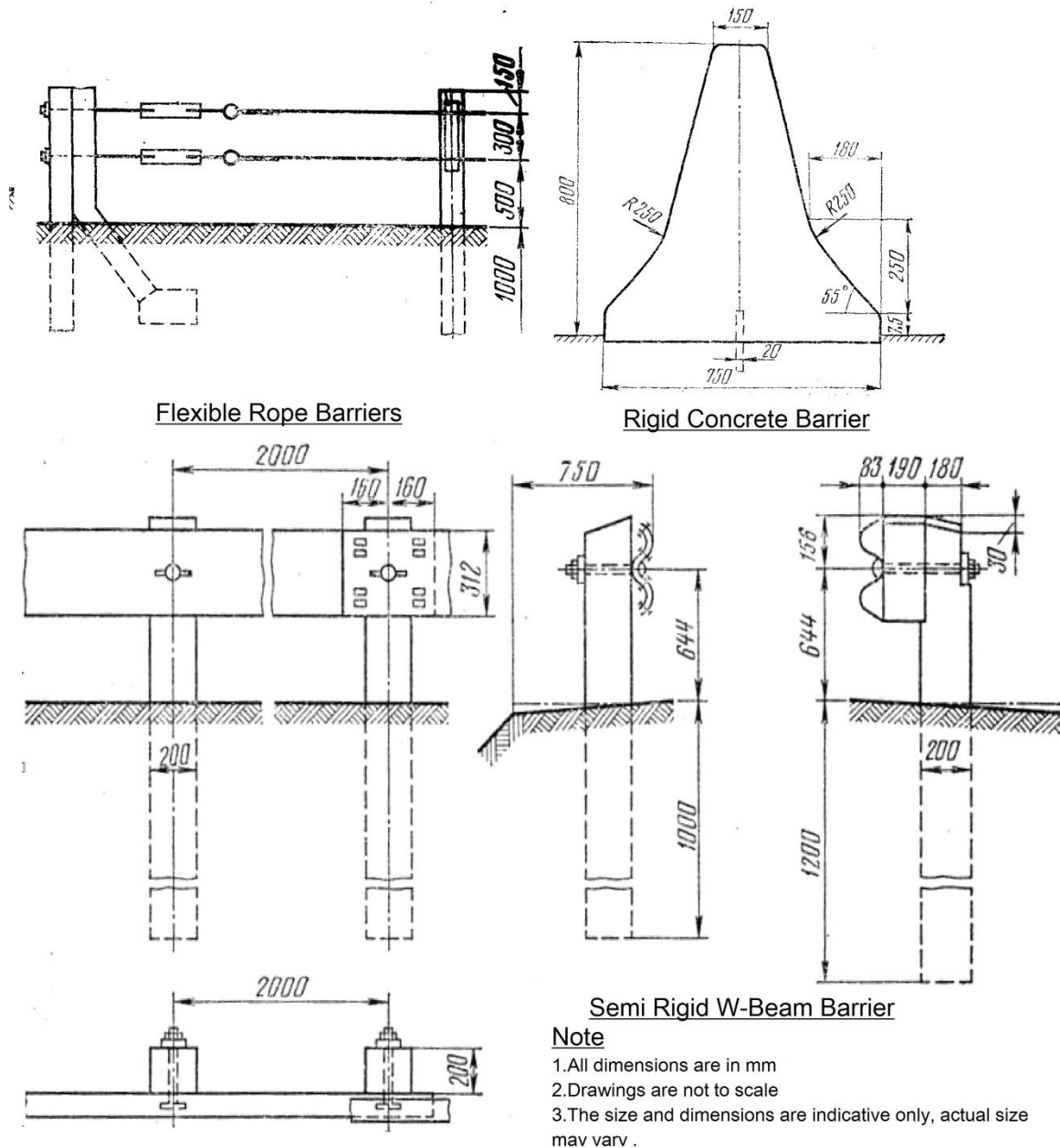


Figure 13-1: Safety Barriers

13.2 Road Humps

- No road humps shall be provided on road located in non urban areas. They can be provided on slow speed roads (speed <30 kmph, only on class IV roads) on some urban areas if their necessity is justified.
- The width of the hump shall not be less than 3.7m. It should have a parabolic shape as shown on the figure with maximum height of 0.1m at the crown.
- The faces of the humps shall be painted with 200 mm wide alternating black and white stripes at 45 deg slopes.

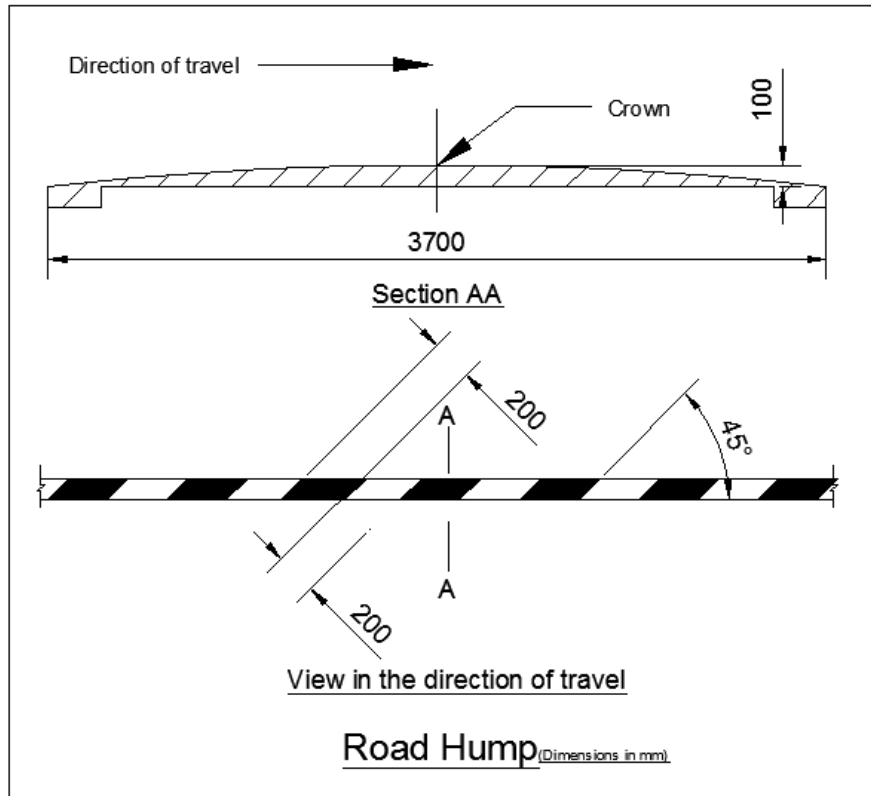


Figure 13-2 Road Hump

13.3 Bicycle Tracks

- In all roads with ADT of more than 4000 PCU and movement of bicycles more than 1000 nos/day bicycle tracks should be constructed. The minimum width of each lane of the bicycle track should be 1.2m for each direction of movement.
- The track should be constructed on a separate formation or at least 1 m away from the edge of the roadway.

13.4 Pedestrian Facilities

13.4.1 Footpaths

- Provision of footpaths should be made on all roads passing through populated areas.
- On high traffic non-urban roads footpaths should be constructed outside of the roadway on separate formation or buffer areas should be established so as to separate them from the carriage way.
- Width of the footpath depends on the volume of anticipated pedestrian traffic. But a minimum width of 1.5 m is required.
- In case of narrow footpaths(<1.8m wide) a passing zone of a minimum width of 1.8m and length of 2.0 m is to be provided at every 50m or less for passing of two wheelchairs.
- The minimum width of footpaths for various volumes of pedestrian traffic should be as shown in Table 13-1

Table 13-1: Width of footpath

Hourly Design Flow(bothways) of 15 min peak period	Footpath width,m
Upto 500	1.5
500-1500	2.0
1500-2500	2.5
2500-3500	3.0

13.4.2 Pedestrian Crossings

- a. Grade separated pedestrian crossings should be provided where pedestrian volume, traffic volume, intersection capacity, and other conditions favor their use, although their specific location and design require individual study.
- b. They may be warranted where there are heavy peak pedestrian movements, such as at central business districts, factories, schools, or athletic fields, in combination with moderate to heavy vehicular traffic or where unusual risk or inconvenience to pedestrians would otherwise result.
- c. Overpass/underpass crossings should be easier to use(than directly crossing the road), well lighted to enhance the sense of security and well ventilated(especially on long underpasses).
- d. Walkways for pedestrian separations should have a minimum width of 2.5 m. Greater widths may be needed where there are exceptionally high volumes of pedestrian traffic.
- e. Overpasses should have a minimum vertical clearance of 5.0m and underpasses 2.5m.
- f. All overpass/underpass pedestrian crossings should be provided with ramp for wheelchairs or other alternative measures (e.g. lifts) for comfortable movement of disabled people. Maximum grade on the ramps should not be steeper than 8%.

13.5 Bus Lay Bys

- a. To be fully effective, bus lay bys should incorporate
 - a deceleration lane or taper to permit easy entrance to the loading area,
 - a standing space sufficiently long to accommodate the maximum number of vehicles expected to occupy the space at one time, and
 - a merging lane to enable easy reentry into the carriage way.
- b. A taper of about 5:1, longitudinal to transverse, is a desirable minimum for deceleration lane
- c. The standing space should provide about 15 m of length for each bus.
- d. The width of standing space should be at least 3.0 m and preferably 3.75 m.
- e. The merging or reentry taper may be somewhat more abrupt than the deceleration taper but, preferably, should not be sharper than 3:1.
- f. If bus lay bys are located near the intersections, it is preferable to locate them on departure side(far side) of the intersection.

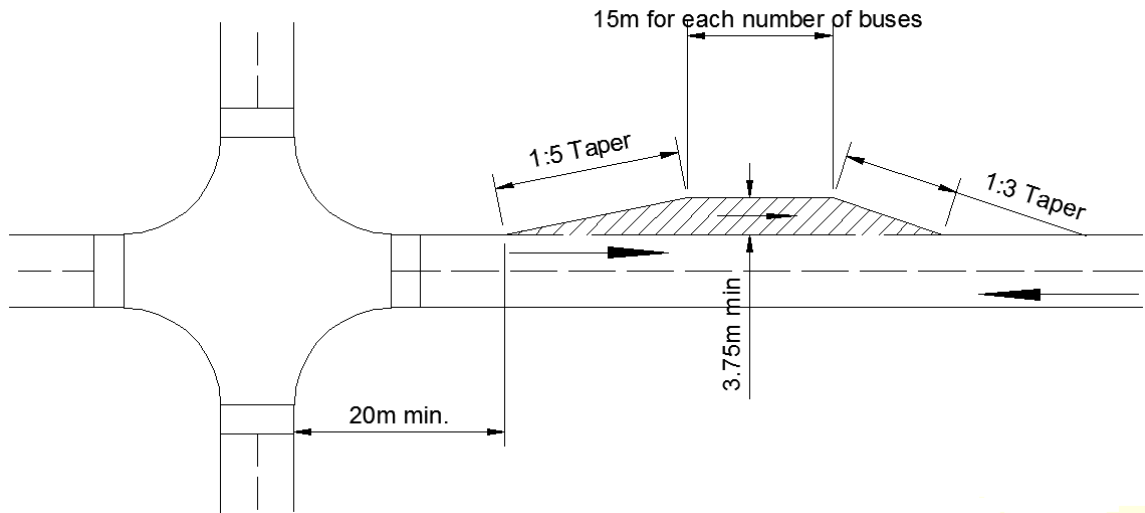


Figure 13-3 :Bus Lay Bys Plan

13.6 Curbs

- Curbs are classified as “Barrier” or vertical type (with vertical road side face) and “Mountable” or sloping type (with sloping roadside face).
- The height of curbs ranges from 10 to 20 cm.
- Barrier curbs are designed to discourage vehicles leaving the pavement. Mountable curbs are provided at medians or channelizing islands.
- Vertical curbs should not be used along freeways or other high-speed roads.
- Design may vary in shape or size. But they should be good in appearance and strong.
- Some recommended designs are shown in Figure 13-4

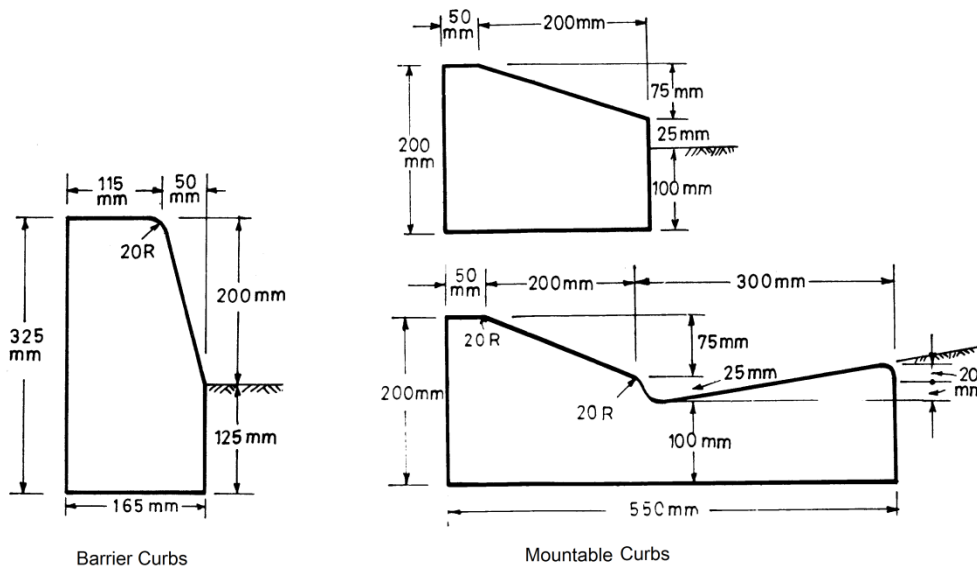


Figure 13-4 Typical curb designs

13.7 Road Lighting

- a. Rural highways should be designed with an open cross section and horizontal and vertical alignment of a fairly high type. Accordingly, they offer an opportunity for near maximum use of vehicle headlights, resulting in reduced justification for fixed highway lighting.
- b. Provision of artificial lighting should be made on all roads near populated areas, on major bridges, bus stops, roads and railroads intersections (up to a distance of 250m from the point of intersections), tunnels and approaches to them and toll plazas.
- c. Light mounting poles should be at least 9m high (but mounting heights of 10 to 15 m are usually preferable). They should be located outside the edge of the roadway or on wide central medians.
- d. Level of illumination should be 30 lux on important high speed roads and 15 lux on other main roads.
- e. The ratio of minimum to average illuminations should be about 0.4.

13.8 Road Drainage

- a. For long life of pavement and other components of a highway system, the subgrade should be kept at optimum moisture level and avoided to be over wetted.
- b. Water should be drained away from the road and ground surface as well as under the surface by a system of *surface* and *subsurface* drainage.

Surface Drainage

- a. Water is drained from the road surface with adequate camber of both the carriageway and the shoulder.
- b. Road side drains are provided in all cut sections to remove water in the longitudinal direction.
- c. Toe-of-slope road side drains are constructed in low fill (<0.8m filling height) sections to convey water away to water courses
- d. Intercepting or catch water drains are placed on back of the top of cut slopes to intercept surface water. Distance of these drains from the edge of the cutting should not be less than 5m.
- e. Flumes are provided to carry collected water down deep cuts or high fill slopes.
- f. Drains should be provided with minimum 0.5% longitudinal grade.
- g. Trapezoidal shape of drains is preferred.
- h. For calculating design discharge on roadside drains following return periods should be taken.

Table 13-2 : Return periods for calculating design discharges

Road Class	I and II	III	IV
Return Period in years	50	33	25

- i. Outlets from the side drains should be provided at no more than 500m intervals.
- j. Sides and bottoms of the drains should be lined according to the longitudinal slope of the drain as shown in Table 13-3. Size of the drain should be worked out based on the discharge, longitudinal slope and type of lining.

Table 13-3 Type of lining of side drains

Type of lining	Longitudinal slopes, %	
	Sandy Soil	Clayey Soil
No lining required	<1	<2
Grass turfing	1~3	2~3
Stone Rip Rap, masonry, concrete	3~5	3~5
Stepping	>5	>5

Subsurface Drainage

- a. Subsurface water table should always be kept 1 to 1.2 m below the subgrade level to protect pavement layers from excessive moisture.
- b. If it is difficult to achieve the above difference in levels, subsurface drains need to be provided.
- c. To save road subgrade from detrimental effects of moisture from the capillary rise of water a layer of granular materials is provided between the subgrade and the highest level of subsurface water.
- d. Sometimes geotextiles are laid over the subgrade soil to stop the migration of small clay particles upwards that increase the capillary rise of water to the pavement.
- e. Subsurface drains are constructed with 150mm-200mm dia perforated pipes with well designed filter material around them and subsequently wrapped by geotextile with adequate longitudinal slopes. Numbers and spacing of subsurface drains should be decided by the design.

14 ACCESS CONTROL

- a. For smooth flow of traffic and reducing ribbon development on non-urban highways number of accesses to it from side roads should be restricted.
- b. No direct access is allowed on class I roads.
- c. Access to private property from class II, III and IV roads should not be at less than 300m interval.
- d. If parallel service road (frontage road) is provided the connection from these roads to highways should not be at less than 750m interval.

15 PAVEMENT

- a. The selection of pavement type is determined based on the traffic volume and composition, soil characteristics, weather, performance of pavements in the area, availability of materials, energy conservation, initial cost, and the overall annual maintenance and service-life cost.
- b. Pavement surface type provided should be consistent with the selected design speed for the highway.
- c. For selection and design of road pavements guidelines published by the Department of Roads shall be followed.

16 ROAD INTERSECTIONS

16.1 Acceleration Deceleration (speed-change) Lanes

- For facilitating change of speed by vehicles diverging from or merging into high speed roads acceleration and deceleration lanes are provided.
- Acceleration and Deceleration lanes are provided at intersections, at bus stops, at fueling and servicing stations and at resting spots.
- These lanes are provided when future traffic on them is expected to be more than ADT of 1000 PCU.
- The width of these lanes is kept the same as the lane width of the highway.
- At the place of merging and diverging these lanes are provided with taper.

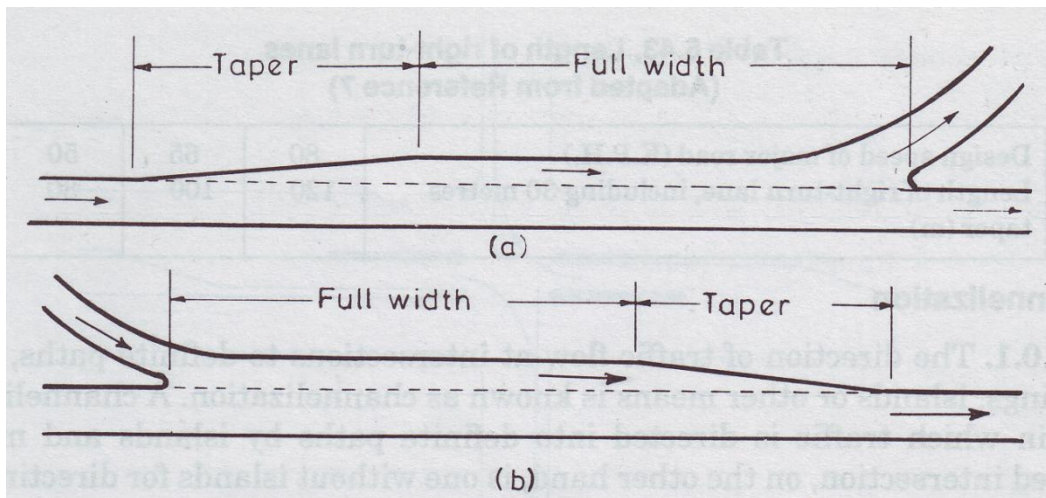


Figure 16-1: Deceleration(a) and Acceleration(b) Lanes

- Lengths of acceleration and deceleration lanes are kept equal to the distance required for the vehicle to increase the speed from 20km/h to the design speed with an acceleration of 1m/s^2 and reduce the speed from the design speed to a speed of 20km/h with a deceleration of 2m/s^2 respectively.
- Based on the above the length of acceleration and deceleration lanes and length of taper for various design speed is given in Table 16-1

Table 16-1: Length of acceleration, deceleration lanes and tapers

Design Speed, km/h	Length of Accelerating Lane, m	Length of decelerating lanes, m	Length of taper, m
60	130	70	30
80	240	120	60
100	370	190	70
120	540	270	80

16.2 Types of intersections

- a. Intersections may be at grade (roads crossing at the same level) or grade separated (roads crossing at different levels).
- b. Grade separated intersections with ramps are called interchanges. They may be simple without any ramps.
- c. Type of intersection depends on the volume of traffic on crossing roads and angle of crossing.
- d. Intersection at grade is not allowed when one of the crossing roads is a class I road.
- e. Roads should cross each other at right angle as far as possible
- f. Approach sections of intersecting grades should not be steeper than 4%.
- g. Detailed design for each intersection should be carried out separately.
- h. For a general guidance following graph can be used to select the type of intersections.

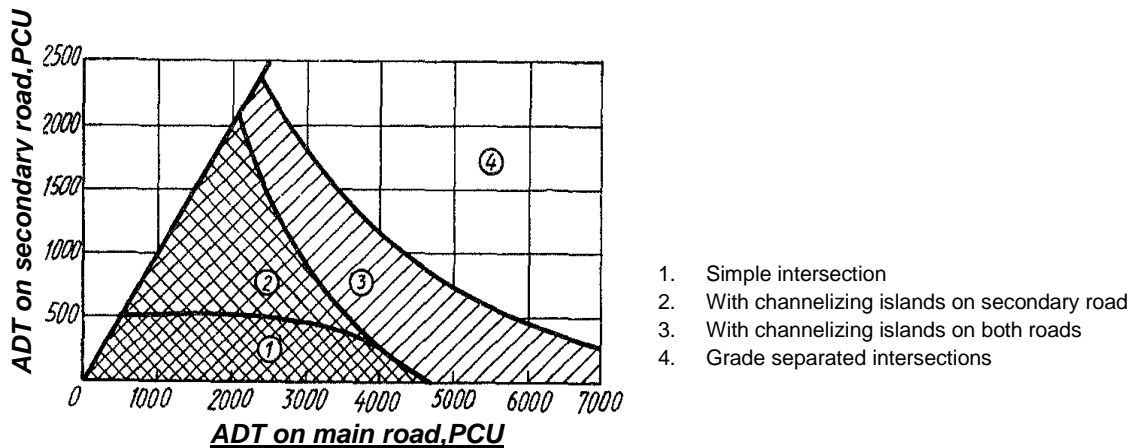


Figure 16-2: Intersection type selection

17 STRUCTURES

17.1 Bridges, culverts and other cross drainage structures

- a. Cross drainage structures having length of more than 6m are called bridges.
- b. Other cross drainage structures are culverts, causeways (simple) and vented causeways.
- c. These structures shall be designed and constructed as per Nepal Bridge Standards-2067 with revisions, if any.
- d. The full width for the approach roadway should be provided across all new bridges.

17.2 Retaining Walls

- a. On steep cross slopes of hills, volume of filling may be considerably high and cutting slopes are unstable.
- b. To minimize the volume of fillings and to stabilize the slopes retaining walls are constructed.

- c. Retaining walls are designed to withstand the lateral pressure from the soil or the filling materials so as to be stable against overturning, sliding, foundation failure due to excessive bearing pressure with adequate structural strength.
- d. Vehicle load is replaced by an equivalent surcharge of additional height of filling materials for design.
- e. When the height of retaining walls becomes large, overpass or half-bridges are constructed.

17.3 Road Tunnels

- a. Although road tunnels are very costly, they are often constructed if after rigorous economic analysis they substantially reduce the cost of construction, maintenance and vehicle operation costs of roads especially on hilly areas.
- b. Highway tunnels are usually constructed either by mining method or cut and cover method.
- c. Tunnels are usually constructed with two lanes. In four lane roads two separate two lane tunnels are constructed.
- d. The minimum roadway width between curbs should be at least 0.6 m greater than the approach carriageway, but not less than 7.2m.
- e. The curb or sidewalk should be 0.5m minimum on either side of the pavement.
- f. The total clearance between walls of a two lane tunnel should be a minimum of 9 m
- g. Minimum vertical clearances inside the tunnels should be 5.0m.
- h. Tunnels should be as shortest as possible.
- i. As far as possible tunnels should be constructed with straight horizontal alignment which simplifies the construction, reduces the cost and it is easy to provide adequate sight distance on tunnels.
- j. Vertical alignment of the tunnel should be decided based on the economic balance between construction costs and operating and maintenance expenses.
- k. Ventilation costs depend on length, grades, natural and vehicle-induced ventilation, type of system, and air quality constraints.
- l. Maximum gradient of the road in tunnels should be 4% and minimum 0.4%(From drainage consideration)
- m. Tunnels of length less than 300m are constructed with one directional gradient and more than 300 m with two way grades with maximum height at the centre.
- n. Tunnels of more than 150m length should be provided with artificial ventilation.
- o. Maximum speed of air inside the tunnels(without considering the motion of air due to movement of vehicles) from artificial ventilation should be 6m/s.
- p. Tunnels of more than 300m length on straight sections or 150m on curved sections of non-urban roads or all tunnels on urban roads should be illuminated with artificial lighting.
- q. Illumination of tunnels at the level of carriageway should not be less than:
 - 30 lux at night
 - 400-750 lux during day time near the portals and 30 lux at the middle.

- r. Illumination of tunnels should be changed gradually from entrance to the interior so as to provide smooth light adaptation. To achieve this, sometimes the entrance of the tunnel is located on slight horizontal curvature or covered by gratings.
- s. Minimum and desirable clearances for tunnel are shown in Figure 17-1

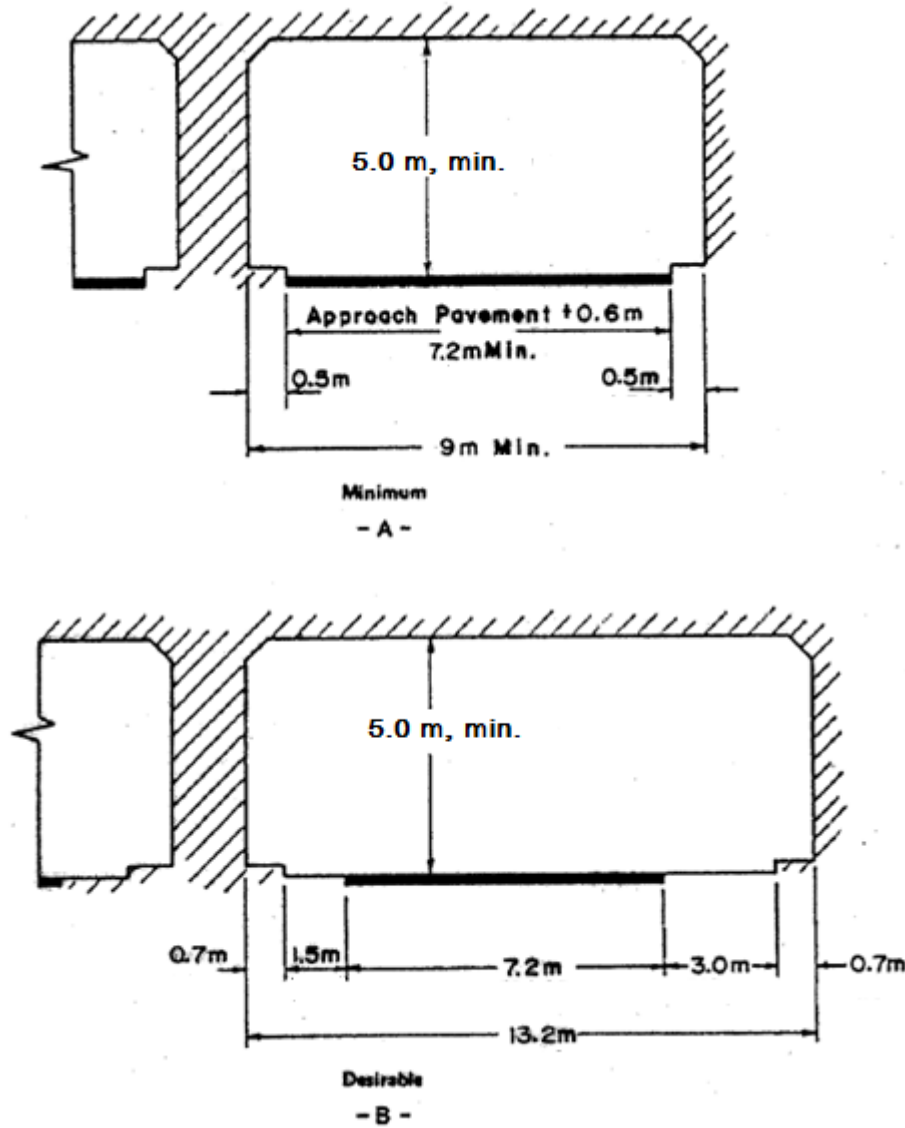


Figure 17-1 Typical tunnel clearances

18 MAINTENANCE

- a. Maintenance of Road should be carried out as per the guidelines provided by the DOR(Routine, Recurrent, Periodic, Rehabilitation and Reconstruction).

19 AESTHETICS AND LANDSCAPE DESIGN

Following rules for aesthetic and landscape design of highways should be followed during design:

- a. Road alignment should be consistent throughout without any sudden change of design standards.
- b. Radii of curves should be selected as high as possible. Sharp curves should be avoided on high , long fills.

- c. Length of horizontal curves should be long enough to avoid the appearance of a kink.
- d. Parametre A (where $A^2=RL$, R-radius of horizontal curve,L-length of transition curve) of the clothoid for transition curve should be within 0.4R to 1.4R. Length of transition curve should not be less than $\frac{1}{4}$ of the length of the circular curve.
- e. Horizontal and vertical alignments of the road should not be designed independently but in coordination with each other so as to produce a smoothly flowing line that is nicely blended with the surrounding ground contour. Proper coordination in this respect will ensure safety, improve utility of highway and contribute to overall aesthetics.
- f. Length of straight sections and curved sections in the plan must be almost equal.
- g. Maximum length of straight sections in plan should be limited to 3-5km
- h. Two curves in the same direction separated by a short straight should be avoided.
- i. Compound curves should be avoided as far as possible.
- j. As far as possible horizontal and vertical curves should be overlapped. It is desirable that horizontal curve be slightly longer than vertical curve. The IP's of horizontal and vertical curves should be offset to a distance not more than $\frac{1}{4}$ of the length of shorter of these curves.
- k. Sharp horizontal curve should be avoided at or near the apex of the pronounced vertical curves. The minimum radius of the sag vertical curve(100 times K-value) should be at least 6 times the radius of overlapping horizontal curve.
- l. Ends of horizontal curves should not coincide with the beginnings of vertical curves.
- m. Sharp vertical curves at the end of long straight sections or curved sections of large radius should be avoided.
- n. It is recommended to evaluate the spatial smoothness of the designed road by constructing the perspective views simulating the views that would be seen by the driver on the road after construction.
- o. A general rule for the designer is to achieve a “flowing” line, with a natural and smooth appearance on the land, and a sensuous, rhythmic continuity for the driver. This effect results from following the natural contours of the land, using graceful and gradual horizontal and vertical transitions, and relating the alignment to permanent features of the landscape such as rivers or mountains.
- p. In many multilane hill roads, there is a potential for designing a divided highway with independent horizontal and vertical alignments for each direction of traffic with minimization of adverse effects on environment.

20 ROADSIDE ARBORICULTURE

- a. Roadside plantation of trees and shrubs should be encouraged as far as possible on all urban and non-urban roads
- b. For roadside plantation ornamental and flowering species are selected.
- c. Trees are usually planted on roadsides and shrubs are planted on medians for good visibility.
- d. Wide crowned trees are not preferred for roadside plantation.
- e. Crown of the trees planted on roadsides should not go beyond the edges of the pavements.
- f. In rural open areas it is desirable to plant trees at a distance of 12m from the edge of carriageways.

- g. Selection of species and their architectural composition with the surrounding landscape should be entitled to specialized landscape designers, architects and professionals in this field.

21 ENVIRONMENTAL CONSIDERATION

- a. All roads should be designed and constructed with proper assessment of all Environmental and Social aspects and their impacts.
- b. Environment Protection Acts and Rules of Government of Nepal should be followed.
- c. All design elements of highways should properly blend with the surrounding elements of nature.
- d. Road alignment should avoid preserved zones like national parks, historical monuments and other sensitive to flora, fauna and people.
- e. Highways should be located away from the populated areas so as to minimize the disturbance to people from construction activities and noise from moving vehicles.
- f. As far as possible road alignments should be located on wind leeward (opposite to windward) side of the populated areas so as to minimize the effect of dust and smoke pollution during construction and vehicle movement.
- g. Proper provisions of path should be made for migration of animals across the roads located in forest areas. In access controlled highways provisions of under/overpass bridges for movement of people should be made at required intervals.
- h. Provisions of sound barriers should be made on roads passing through populated areas.
- i. Removal of top soil before road construction should be done and used for land recultivation, reclamation and road slope stabilizations.
- j. Bio-engineering techniques should be applied on road slope stabilization.
- k. Road side arboriculture should be implemented.
- l. Road embankments should be constructed using imported materials as far as possible. Road side excavation and burrow pits should not be encouraged especially on highly fertile lands.
- m. Quarries for construction materials should be properly managed and provisions for reinstatement to an acceptable condition should be made in the project.
- n. Dust/smoke producing pavement technology shall not be adopted near populated areas.

22 ROADSIDE SERVICE FACILITIES

- a. Location and general design of gas filling stations along the highways and their spacings should be as per the guidelines published by the Department of Roads.
- b. Highway motels, camping stations and technical service centres should be provided preferably at 50-100km distances.
- c. Telephone booths should be provided at least at 20 km distance.
- d. Highway police control rooms, and emergency medical service centres should be provided on highways.
- e. In order to permit the motorists to easily leave the roadway for vehicle inspection, scenic lookouts and rests, a number of lay-bys, parking lots and recreational areas should be provided on highways.

- f. Recreational areas should be set out away from the main highway separating by a dividing strip planted with tall trees that attenuate the vehicular noise from the adjacent highway. They should be located on scenic sites e.g. mountain pass, top of a hill or other sites with pleasant view of nature. They should be provided with wash rooms, public toilets and drinking water facilities.

23 GLOSSARY

Average Daily Traffic (ADT)- ADT is the total volume of traffic across a road section during a given time period (in whole days), greater than one day and less than one year, divided by the number of days in that time period.

Bridge- A high level cross drainage structure across the roads with more than 6m length.

Bus lay by- A bus lay-by (also called bus turnout) is a special zone on the side of the main roadway for primarily buses to stop in order to pick up and drop off passengers.

Design Speed-It is the maximum safe speed that can be maintained over a specified section of highway when conditions are so favorable that the design features of the highway govern

Camber-Transverse slope given to the road surface to facilitate drainage.

Carriageway- The portion of the roadway for the movement of vehicles, exclusive of shoulders

Climbing Lane-It is an extra lane in the upgrade direction of a highway for use by heavy vehicles whose speeds are significantly reduced by the grade

Culvert- A cross drainage structure on the road usually less than 6m length.

Formation or Subgrade- It is the top surface of the embankment or cutting where the roadway rests

Lateral Clearance-It is the horizontal distance between the extreme edge of the carriageway to the face of the structure

Level of Service (LOS)-It is a qualitative measure describing operational conditions within a traffic stream and their perception by drivers/passengers.

Lux- is the SI unit of luminance, measuring luminous flux per unit area. It is equal to one lumen per square metre. It can be understood as a measure of the total "amount" of visible light present, per unit area of a surface.

Medians-That portion of a divided highway separating the traveled ways for traffic in opposite directions including inside shoulders.

Right of Way-A general term denoting land, property of interest therein, usually in a strip, acquired for or devoted to transportation purposes.

Roadway: The portion of a highway, including shoulders, for vehicular use. A divided highway has two or more roadways.

Shoulder- A shoulder is the portion of the roadway contiguous with the carriageway that accommodates stopped vehicles, emergency use, and lateral support of subbase, base, and surface courses.

Superelevation-One sided transverse slope given to the pavement surface on curved sections of the road

Vertical Clearance-It is the height above the highest point of the carriageway to the lowest point of overhead structure.

24 ANNEXES

24.1 Recommended Design Parameters for various classes of Roads

Table 24-1 Recommended design Parameters

Design Parameter	Road Class				Remarks
	I	II	III	IV	
Design Capacity, PCU day	>20000	5000-20000	2000-5000	<2000	For LOS 'B'
Design speed, km/h	P-120, R -100 M-80 S-60	P-100 R-80 M-60 S-40	P -80 R-60 M-40 S-30	P-600 R -400 M-30 S-20	
No. of lanes	4 min.	>=2	2	<2	
Lane width,m	3.5	3.5	3.5	3.75 ^a or 5.5	
Shoulder width(minimum),m	P, R-3.75 M,S-2.5	P, R-2.5 M,S-2.0	P, R-2.0 M,S-1.0	P, R-1.5 M,S-0.75	
Recommended Median width,m	5.0 (3.0 in restricted areas) Viaducts and bridges-1.5 Absolute minimum-1.2	-	-	-	
Minimum radius of hor. Curve(when superelevation is not provided) ,m	P-1730 R-870 M-440 S-200	P-870 R-440 M-200 S-70	P-440 R-200 M-70 S-30	P-200 R-70 M-30 S-20	See Table 9-1
Minimum K- value for vertical curves(summit/valley)	P-807/441 R-427/236 M-231/111 S-94/42	P-427/236 R-231/111 M-94/42 S-29/17	P-231/111 R-94/42 M-29/17 S-4/6	P-94/42 R-29/17 M-4/6 S-2/3	See Table 10-3 See Table 10-4
Maximum longitudinal gradient,%	P-4 R-5 M-6 S-7	P-5 R-6 M-7 S-9	P-6 R-7 M-9 S-10	P-7 R-9 M-10 S-12	See Table 10-1

P-Plain,R-Rolling,M-Mountainous,S-Steep

^a 3.0 m in difficult situations

Table 24-4 : Coefficient of lateral friction

Speed(km/h)	f
120	0.09
100	0.12
80	0.14
60	0.17
40	0.23
30	0.28
20	0.33

- e. Radius of curve calculated from the above consideration usually gives a very sharp curve. As a consequence passengers travelling on such curves experience discomfort with high lateral force acting on their body.
- f. So where site conditions permit it is recommended that radius of horizontal curve be decided based on the lateral force acting on the passenger caused by the centrifugal force thereby limiting the ratio of lateral to vertical forces to 0.15.
- g. From the consideration of passengers comfort

$$R = \frac{V^2}{20} \dots \dots \dots \text{24-3}$$

Where,

R-Radius of Horizontal Curve, m

V-Design speed in km/h

24.4 Elements of a Clothoid

- a. Length of transition curves is decided based on the allowable rate of change of centrifugal acceleration acting on the vehicle so that the driver can steer the vehicle easily from straight section to a circular curve section of the road.

$$L = \frac{V^3}{47CR} \dots \dots \dots \text{24-4}$$

Where,

L = minimum length of spiral, m;

V = speed, km/h;

R = curve radius, m;

C = rate of increase of lateral acceleration, m/s³ ($C = \frac{80}{75+V}$, subject to the condition $0.5 < C < 0.8$)

- b. It is not possible to place a transition curve between straight and circular sections if following condition is not fulfilled

$$L \leq \Delta R \dots \dots \dots \text{24-5}$$

Where,

L-length of the spiral,m

Δ -Deflection angle, in radians

R-Radius of circular curve,m

Since Δ is always less than π , from the above it follows that

$$L \leq \pi R \dots \dots \dots 24-6 \quad \text{i.e } L \text{ cannot be more than } \pi R .$$

- c. No transition curve is required if the lateral shift (S in Figure 24-1) of the circular curve due to transition curve is less than 0.25m.i.e.

$$\frac{L^2}{24R} \geq 0.25 \dots \dots \dots 24-7$$

Where,

L-length of the spiral,m

R-Radius of circular curve,m

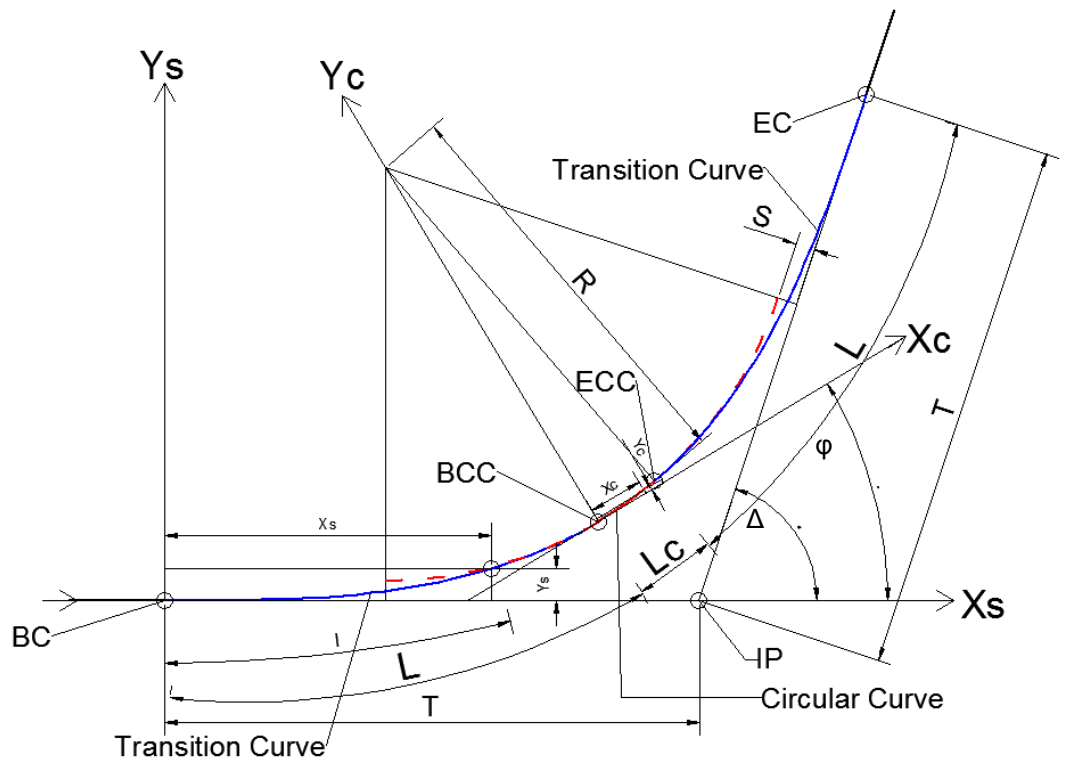


Figure 24-1: Elements of a transition or spiral curve

Notations to Figure 24-1:

BC-Beginning of the curve

EC-End of the curve

BCC-Beginning of the circular curve

ECC-End of the circular curve

R-Radius of the circular curve

x_s, y_s - abscissa and ordinate of any point on the spiral(origin of coordinates at tangent point or BC with direction of abscissa towards IP)

$$T = R \tan \frac{\Delta}{2} + \frac{L}{2} - \frac{L^3}{1280R^2} \dots \dots \dots 24-15$$

24.5 Summit Curve

- a. The length (L) and K-value of vertical summit curve should be selected based on
- the required visibility of at least stopping distance as given on Table 8-1. For this purpose the driver's eye is assumed to be located at 1.2 m above the road surface and any object lying on the roads surface to be 0.15m high.
 - the required visibility of at least overtaking distance as given on Table 8-2 or twice the stopping distance. For this purpose the driver's eye is assumed to be located at 1.2 m above the road surface.

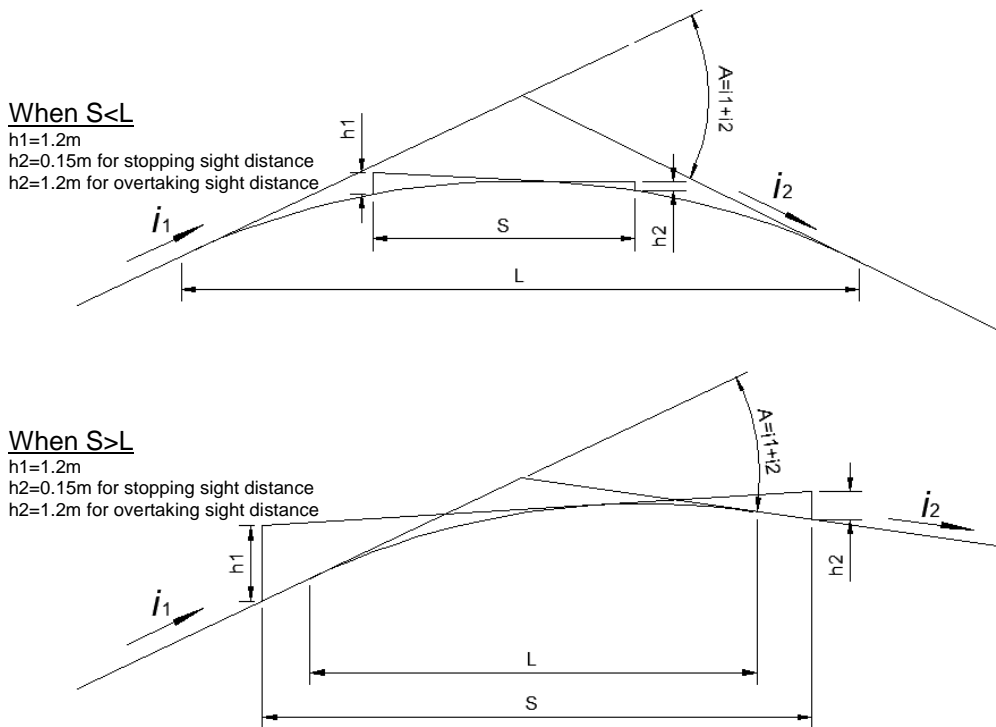


Figure 24-2: Summit Curve

- b. Minimum length of summit curve from the consideration of stopping distance is to be found as follows:

When stopping distance(S) is less than L

$$L = \frac{AS^2}{200(\sqrt{h_1} + \sqrt{h_2})^2} \text{ i.e. } L = \frac{AS^2}{440} \dots \dots \dots 24-16$$

When stopping distance(S) is more than L

$$L = 2S - \frac{200(\sqrt{h_1} + \sqrt{h_2})^2}{A} \text{ i.e. } L = 2S - \frac{440}{A} \dots \dots \dots 24-17$$

Where,

L-Length of summit curve ,m

A-Algebraic difference in approach grades,%

S-stopping distance, m

h_1 -height of driver's eye above the pavement surface, m(taken as 1.0m)

h_2 -height of object above the pavement surface, m(taken as 0.1m)

- c. Minimum length of summit curve from the consideration of overtaking distance and twice the stopping distance is to be found as follows:

When overtaking distance or twice the stopping distance (whichever is higher)(S) is less than L

$$L = \frac{AS^2}{200(\sqrt{h_1} + \sqrt{h_2})^2} \text{ i.e. } L = \frac{AS^2}{960} \dots \dots \dots \text{ 24-18}$$

When stopping distance(S) is more than L

$$L = 2S - \frac{200(\sqrt{h_1} + \sqrt{h_2})^2}{A} \text{ i.e. } L = 2S - \frac{960}{A} \dots \dots \dots \text{ 24-19}$$

Where,

L-Length of summit curve ,m

A-Algebraic difference in approach grades,%

S-stopping distance, m

h_1 and h_2 -height of driver's eye above the pavement surface, m(taken as 1.2m)

Minimum length of summit vertical curve can be found from the following graph (see Figure 24-3) which is a plot of the above formulas.

Minimum Length of Summit Curve

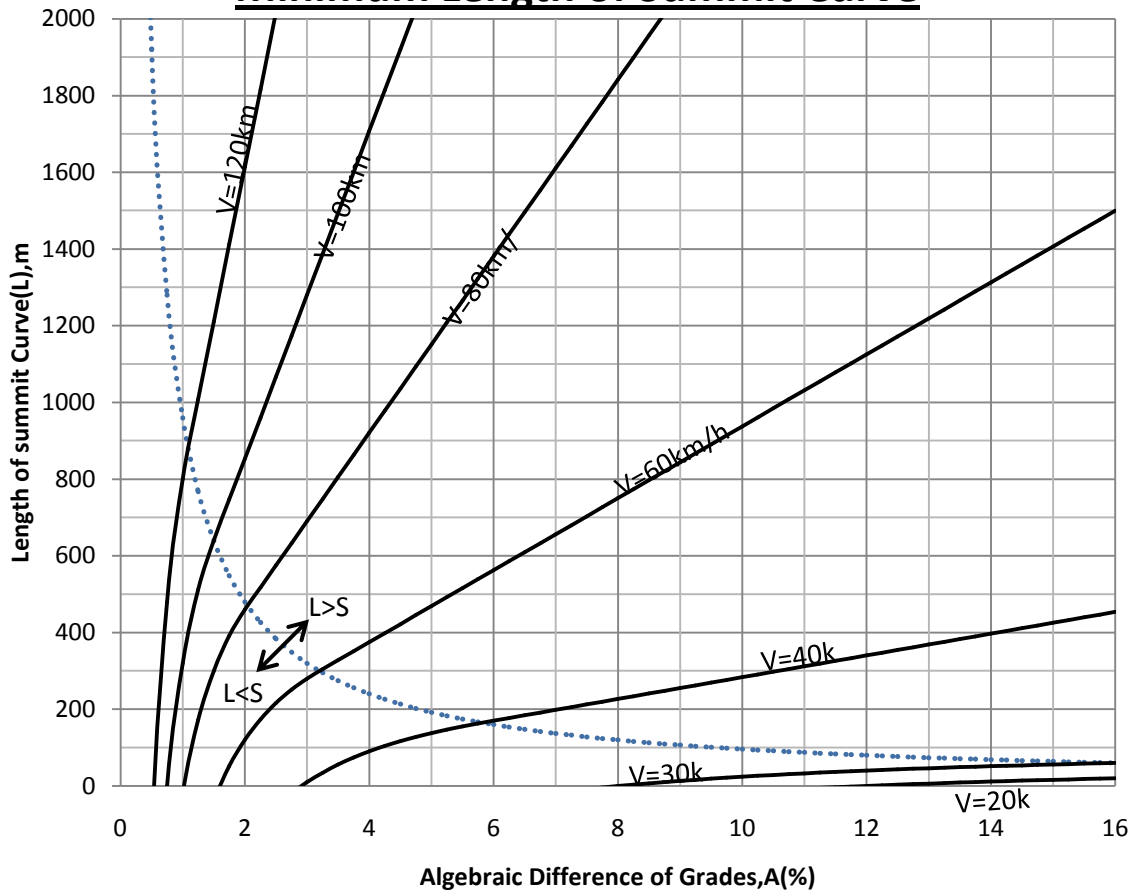


Figure 24-3: Minimum Length of Summit Vertical curve

24.6 Valley Curve

- a. The length (L) and K-value of vertical valley curve should be selected based on the required *night visibility by the headlight of the vehicle* of at least stopping distance as given on Table 8-1 or based on *the riding comfort of the passengers and overloading on the suspension system of the automobile*.
- b. On valley curves during night driving the top of the headlight beam should illuminate the road to a distance more than the stopping distance
- c. For calculation of the distance illuminated by the headlights, the height of headlight above the road surface (H) is assumed to be 0.75m and the total angle of the headlight beam (2α) is assumed to be 2 deg.

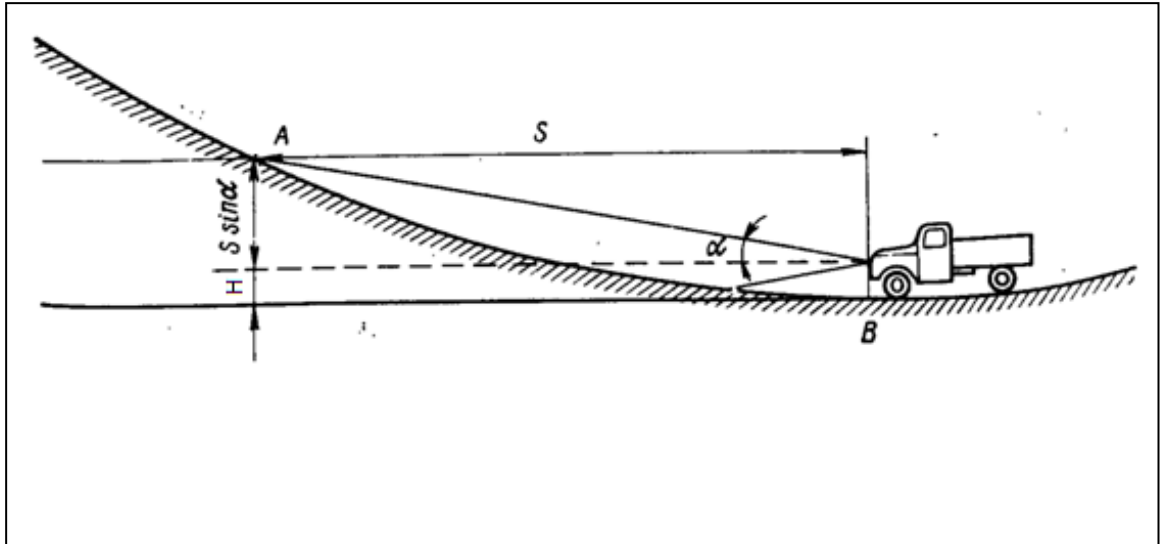


Figure 24-4: Valley Curve from headlight illumination criteria

d. When stopping distance(S) is less than L

$$L = \frac{AS^2}{200(H + S \sin \alpha)} \text{ i.e. } L = \frac{AS^2}{(150 + 3.5S)} \dots \dots \dots 24-20$$

When stopping distance(S) is more than L

$$L = 2S - \frac{200(H + S \sin \alpha)}{A} \text{ i.e. } L = 2S - \frac{(150 + 3.5S)}{A} \dots \dots \dots 24-21$$

Where,

L-Length of valley curve ,m

A-Algebraic difference in approach grades,%

S-stopping distance, m

H-height of headlight above the pavement surface, m (taken as 0.75m)

α -half of the angle of the headlight beam, deg (taken as 1 deg)

e. Minimum length of valley curve (L) from the consideration of the riding comfort of the passengers and overloading on the suspension system of the automobile is found as follows:

$$L = \frac{AV^2}{1296a} \text{ i.e } L = \frac{AV^2}{390} \dots \dots \dots 24-22$$

Where,

L-Length of valley curve ,m

A-Algebraic difference in approach grades,%

V-design speed in km/h

a-maximum allowable overloading coefficient(taken as 0.3 m/s²)

- f. Higher of the values obtained from the above considerations is taken for the design.
- g. Minimum length of valley vertical curve can be found from the following graph (see Figure 24-5) which is a plot of the above formulas.

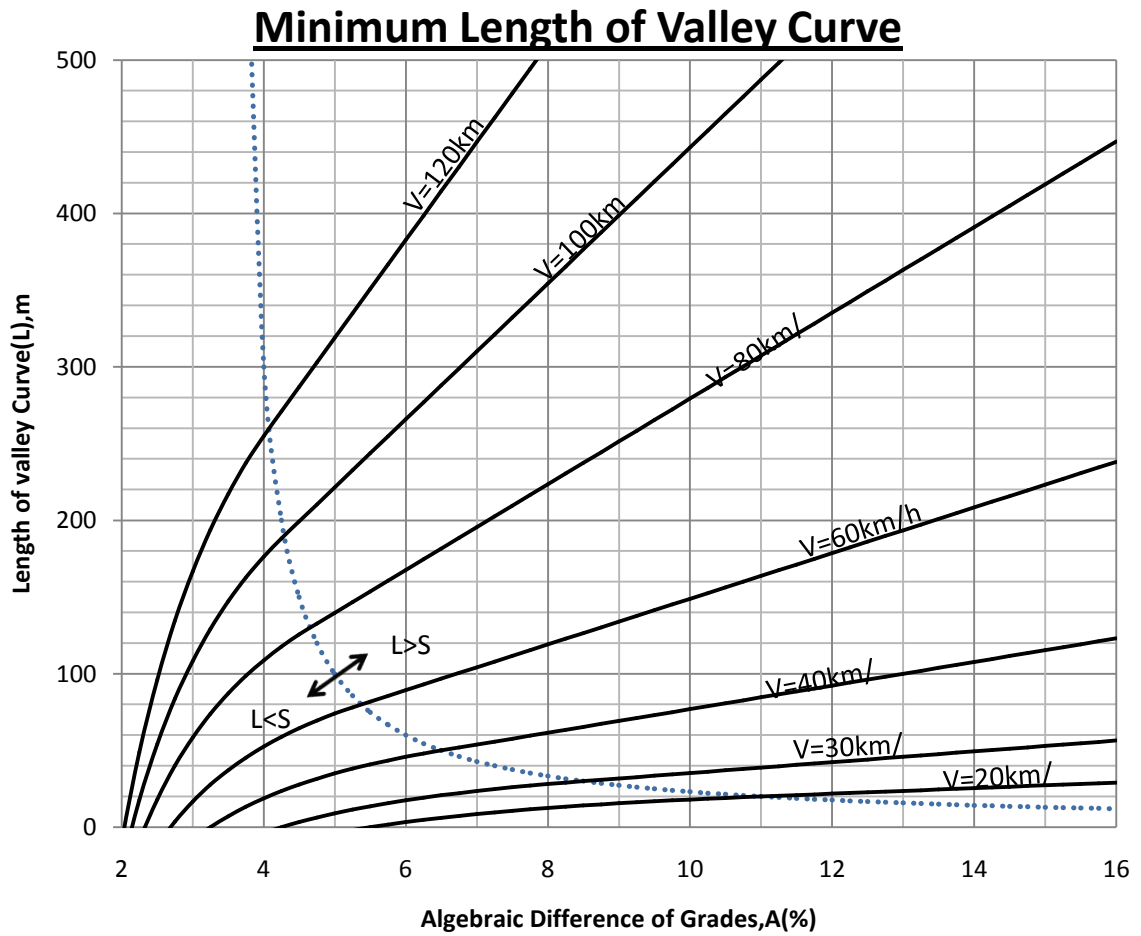


Figure 24-5: Minimum Length of Valley Curve

24.7 References

- a. AASHTO: *A policy on Geometric Design of highways and streets*, Washington DC, AASHTO, 2001
- b. ESCAP: *Asian Highway Handbook*, United Nations, New York, 2003
- c. IRC 64:1990 : *Guidelines for capacity of Roads in Rural Areas*, New Delhi, IRC, 1990
- d. IRC 73:1980: *Geometric Design Standards for Rural (Non-urban)-Highways*, New Delhi, IRC, 1980
- e. SNIP 2.05.08: *Awtomobilnye Dorogi* (Russian Roads Standards), Moscow, 2008
- f. NRS 2045: *Nepal Roads Standards*, Kathmandu, Department of Roads, 2045 BS
- g. TRRL: *ORN-6 A Guide to Geometric Design: TRRL*, Crowthorne Berkshire United Kingdom, 1988
- h. Babkov V F: *Design of Highways (in Russian)*, Transport, Moscow, 1988
- i. Traffic Safety Unit: *Traffic Signs Manuals Vol-I and Vol II*, Department of Roads, Kathmandu, 1997
- j. Garber, Hoel: *Principles of Traffic And Highway Engineering*, Cengage Learning, New Delhi, 2010
- k. Kadiyali, Lal: *Principle and Practices of Highway Engineering*, Khanna Publishers, New Delhi, 2004

INDEX

- acceleration, 28, 39
- access, 2, 27, 33
- ADT**, vi, 2, 23, 35
- aesthetic, 18, 31
- barriers, 16, 21, 33
- bicycle track, 23
- Bridge**, 29, 35
- bus lay bys, 24
- camber**, 7, 17, 26
- capacity, 3, 4, 15, 24, 47
- carriageway, 2, 8, 15, 16, 17, 20, 21, 26, 30, 35
- classification, 1, 3
- Climbing Lane**, 35
- Climbing lanes, 10, 11
- Cross Section, 15
- Culvert**, 35
- Curbs, 25
- deceleration, 24, 28
- design speed, 5, 8, 10, 15, 27, 28, 37, 45
- Design Speed, 5, 7, 10, 14, 15, 17, 28, 35
- Design Vehicles, 3
- District Roads*, 1
- drainage, 10, 26, 29, 30, 35
- Emergency escape ramps, 11
- extrawidening, 8
- Feeder Roads*, 1
- footpaths, 20, 23
- Formation width, 17
- Functional Classification, 2
- gradients, 10, 11
- hair pin bends, 7, 8
- Intersections, 28, 29
- K-value, 13, 14, 32, 42, 44
- landscape design, 31
- length of valley curve, 15, 45
- Levels of Services, 4
- lighting, 26, 30
- Local Roads Network*, 2
- Lux**, 35
- medians, 16, 17, 21, 25, 26, 32
- National Highways*, 1
- pavement, 13, 14, 15, 16, 17, 25, 26, 27, 30, 33, 35, 43, 45
- pedestrian, 23, 24
- plantation, 32
- quadratic parabola, 12
- radius, 6, 7, 9, 10, 13, 32, 36, 38, 39
- retaining walls, 29, 30
- Right of way, 20
- Road Humps, 22
- set-back distance, 9
- shoulder, 16, 20, 26, 35
- sight distance, 5, 6, 9, 13, 14, 30
- slopes, 18, 21, 22, 26, 27, 29
- Strategic Roads Network*, 2
- summit curve, 12, 13, 14, 15, 42, 43
- superelevation**, 7, 8, 17, 36, 38
- terrain, 2, 3, 4, 5, 16, 17
- Terrain, 5
- Transition Curves, 7
- tunnels, 26, 30, 31
- Urban Roads*, 1
- valley curve, 12, 14, 15, 44, 45
- vertical clearance, 21, 24
- vertical curves, 12, 14, 15, 32, 36